

GO4GOLD

Hardware Manual



→ Better games through innovation



THANK YOU FOR CHOOSING GO4GOLD



In order to get the maximum advantage out of the Go4Gold's features and ensure maximum performance and longevity, please read this manual carefully before operating the machine. Keep the manual in a safe place for future reference.

For additional help please contact our service line under **+43 7229 78040 250** or **hotline@tab.at**

Please find additional information as download at: **www.tab.at/download**

Go4Gold is a trademark of TAB Austria, ©1962 - 2015. All Rights Reserved - including any arisings from photomechanical reproduction and storage in electronic or any other medium, the system, cabinet, handbook and all components are subject to international copyright regulations.

All illustrations and descriptions within this manual are carefully considered, however, mistakes cannot be completely ruled out. The manufacturer don't accept legal responsibility of liability in any form with regard to errors in detail or any consequences that may arise from such problems. If you face any problems please get in contact with us.



We thank you for choosing

Go4Gold

in preference to the vast number of other betting vending machines available on the market.

To gain satisfactory use from your *Go4Gold*, please read the operating instructions thoroughly.

Please store this manual in such a way as to make it readily at hand if so required.

WARNING!

This is a Class A product – see [EC Declaration of Conformity](#). In a domestic environment this product may cause radio interference in which case the user may be required to take adequate measures.

For additional queries, our Hotline is at your service.

Call +43 / 72 29 / 78 0 40 – 250

Hardware instruction *Go4Gold* machine manual.

(BG - 02.03.2015)

The text passages and illustrations contained within this document were put together with the greatest amount of care and attention, however, mistakes cannot be completely ruled out.

The manufacturer accepts no legal responsibility or liability in any form with regard to errors in detail, and any consequences that may arise from such errors.

The manufacturer is thankful for any suggestions for improvement or pointers leading to errors.

All rights - including any arising from photomechanical reproduction and storage in electronic or any other medium - are reserved. The program, handbook, and all components are subject to international copyright regulations.

© 1996 – 2015 TAB Austria
4052 Ansfelden, Austria, Haider Strasse 40,
Phone +43 (0) 7229 78 0 40, Fax +43 (0) 7229 78 6 60

All rights reserved.

→ Better games through innovation

TAB-Austria Industrie- und Unterhaltungselektronik GmbH & CoKG
Haider Strasse 40, A-4052 Ansfelden, UID-Nr.: ATU57977639
Tel. +43 (0)7229/78 040-0, Fax +43 (0)7229/78 660, e-mail: sales@tab.at, www.tab.at





Table of content

Setup Pointers	5
Safety regulations for the user.....	5
Additional Information	6
Definition of the key districts.....	6
Description	7
Standard configuration.....	7
PC standard configuration.....	7
PC options for both versions.....	7
Terminal standard components.....	7
Terminal options.....	8
Operating Elements.....	9
Technical Data.....	10
Maintenance Operating Elements	12
Electronic Coin Acceptor.....	12
Comestero RM5HD.....	12
NRI G-13 mft.....	14
Bill Acceptor.....	15
Astro GBA ST2 (drop box).....	15
ITL NV9 (drop box).....	20
JCM UBA-10-SS and UBA-14-SS (stacker).....	25
MEI Cashflow SC83 (stacker).....	28
Printer.....	29
Epson TM-T88V (thermal printer).....	29
Transact Epic 950TM (ticket printer).....	30
Custom VKP 80II and 80III (roll printer).....	33
Card Reader.....	34
Transmac SCR28I-SM33U.....	34
Barcode Reader.....	34
Zebex Z-5160 USB.....	34
Wiring Diagram Main Harness	35
Block Diagram Power Cables	36
Exploded Assembly Drawings	37
EC Declaration of Conformity	43
General Terms and Conditions of Trade	44
Warranty Terms	50
End user license agreement for MICROSOFT software	52
Notes	56

→ Better games through innovation

TAB-Austria Industrie- und Unterhaltungselektronik GmbH & CoKG
Halder Strasse 40, A-4052 Ansfelden, UID-Nr.: ATU57977639
Tel. +43 (0)7229/78 040-0, Fax +43 (0)7229/78 660, e-mail: sales@tab.at, www.tab.at





Setup Pointers

Safety regulations for the user

- The machine may only be operated in dry rooms and connected to a safety plug socket that complies with the relevant safety standards.
- Before starting the machine, it should be allowed to attain room temperature. The recommended ambient temperature is 5 – 35 Degrees on the Celsius scale.
- Check the main voltage before connecting the machine.
- The machine is designed for an alternating voltage of 230V or 115V (if specified on the type plate), 50Hz and 120W power.
- The machine may only be operated with two 4 amp fuses.
- In case of breakage to housing parts, protruding wires, machine fires or smashed picture tubes, the machine must be immediately switched off and the main plug disconnected.
- Defect or bare wire cables, especially power cables and plug connectors must be replaced.

Important!

In such cases ensure that the machine contact is avoided and that it cannot be switched on!

- When positioned alongside other machines, interference in normal operation may occur.

Please pay attention to the [licensing terms and conditions of Microsoft](#) at the end of this document.

→ Better games through innovation

TAB-Austria Industrie- und Unterhaltungselektronik GmbH & CoKG
Halder Strasse 40, A-4052 Ansfelden, UID-Nr.: ATU57977639
Tel. +43 (0)7229/78 040-0, Fax +43 (0)7229/78 660, e-mail: sales@tab.at, www.tab.at





CAUTION!

Risk of explosion if battery is replaced by an incorrect type.
Dispose of used batteries according to the instructions.



Disposal of Old Electrical & Electronic Equipment (Applicable in the European Union and other European countries with separate collection systems)

This symbol on the product or on its packaging indicates that this product shall not be treated as household waste. Instead it shall be handed over to the applicable collection point for the recycling of electrical and electronic equipment. By ensuring this product is disposed of correctly, you will help prevent potential negative consequences for the environment and human health, which could otherwise be caused by inappropriate waste handling of this product. The recycling of materials will help to conserve natural resources. For more detailed information about recycling of this product, please contact your local city office, your household waste disposal service or the company where you purchased the product.

Additional Information

Definition of the key districts

KEY	DISTRICT	EMPLOYEE
Yellow	Cash boxes	Cashier
White	Hardware components	Service engineer
Blue	PC	Service engineer
Black	Printer door	Unqualified employee

→ Better games through innovation

TAB-Austria Industrie- und Unterhaltungselektronik GmbH & CoKG
Halder Strasse 40, A-4052 Ansfelden, UID-Nr.: ATU57977639
Tel. +43 (0)7229/78 040-0, Fax +43 (0)7229/78 660, e-mail: sales@tab.at, www.tab.at





Description

Standard configuration

The standard configuration of the new PC is the following:

PC standard configuration

Version “PC TAB mITX Trinity” – actual terminals

- Industrial PC System AMD with Dual Core 2.7GHz processor
- CPU R272F Dual Core 2,7 GHz or higher
- minimum 2 x 4 GB RAM
- minimum 2,5" 60 GB SSD or 2,5" 250 GB HDD
- On-Board graphics card FULL HD (1920 x 1080 resolution)

Version “PC TAB Micro ATX2” – older terminals

- Industrial PC System Intel Pentium
- CPU Core 2 Duo E4300 (2x1,8GHz) or higher
- PCIe-graphics card 46xx-series with ATI™ chip (160x1050 resolution) or HD6670 Club3D or higher
- On-Board 16bit sound card
- minimum 60 GB SSD or 80 GB HDD

PC options for both versions

- TAB I/O controller with secure memory and amplified audio out (stereo)

Terminal standard components

- 19 inch TFT-display with touch screen
- [Electronic coin acceptor](#)
- [Bill acceptor](#)
- [Printer](#)

→ Better games through innovation

TAB-Austria Industrie- und Unterhaltungselektronik GmbH & CoKG
Halder Strasse 40, A-4052 Ansfelden, UID-Nr.: ATU57977639
Tel. +43 (0)7229/78 040-0, Fax +43 (0)7229/78 660, e-mail: sales@tab.at, www.tab.at





Terminal options

2nd display (optional)

- 19 inch TFT-display with touch screen or
- 19 inch TFT-display with safety glass

Electronic components

- Electronic Coin Acceptor
 - [Electronic coin acceptor Comestero RM5HD](#)
 - [Electronic coin acceptor NRI G13 mft](#)
- Bill Acceptor
 - [Astro Systems GBA ST2 \(drop box\)](#)
 - [ITL NV9 USB \(drop box\)](#)
 - [JCM UBA-10-SS or UBA-14-SS \(stacker\)](#)
 - [MEI Cashflow SC83 \(stacker\)](#)
- Printer
 - [Epson TM-T88V \(thermal printer\)](#)
 - [Transact Epic 950 \(ticket printer\)](#)
 - [Custom VKP80 II or III \(roll printer\)](#)
- Card Reader
 - [Transmac SCR28I-SM33U](#)
- Barcode Reader
 - [Zebex Z-5160 USB](#)

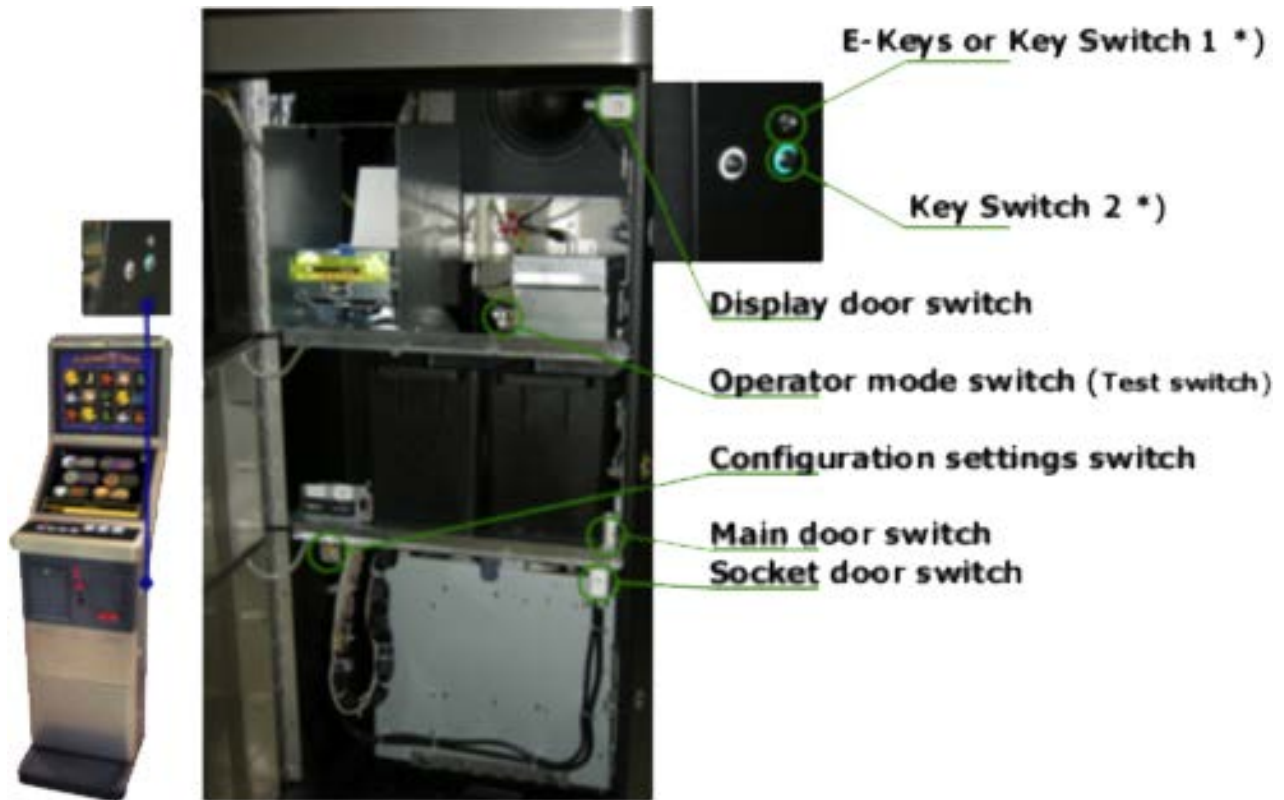
Other components (optional)

- Sound
 - Subwoofer Box incl. Diplexer
- Camera
 - Camera Notecam Pro



Operating Elements

All games in the *Go4Gold* are played via touch screen.



***) functions may differ on different configurations**

→ Better games through innovation

TAB-Austria Industrie- und Unterhaltungselektronik GmbH & CoKG
Halder Strasse 40, A-4052 Ansfelden, UID-Nr.: ATU57977639
Tel. +43 (0)7229/78 040-0, Fax +43 (0)7229/78 660, e-mail: sales@tab.at, www.tab.at


TAB
AUSTRIA
www.tab.at

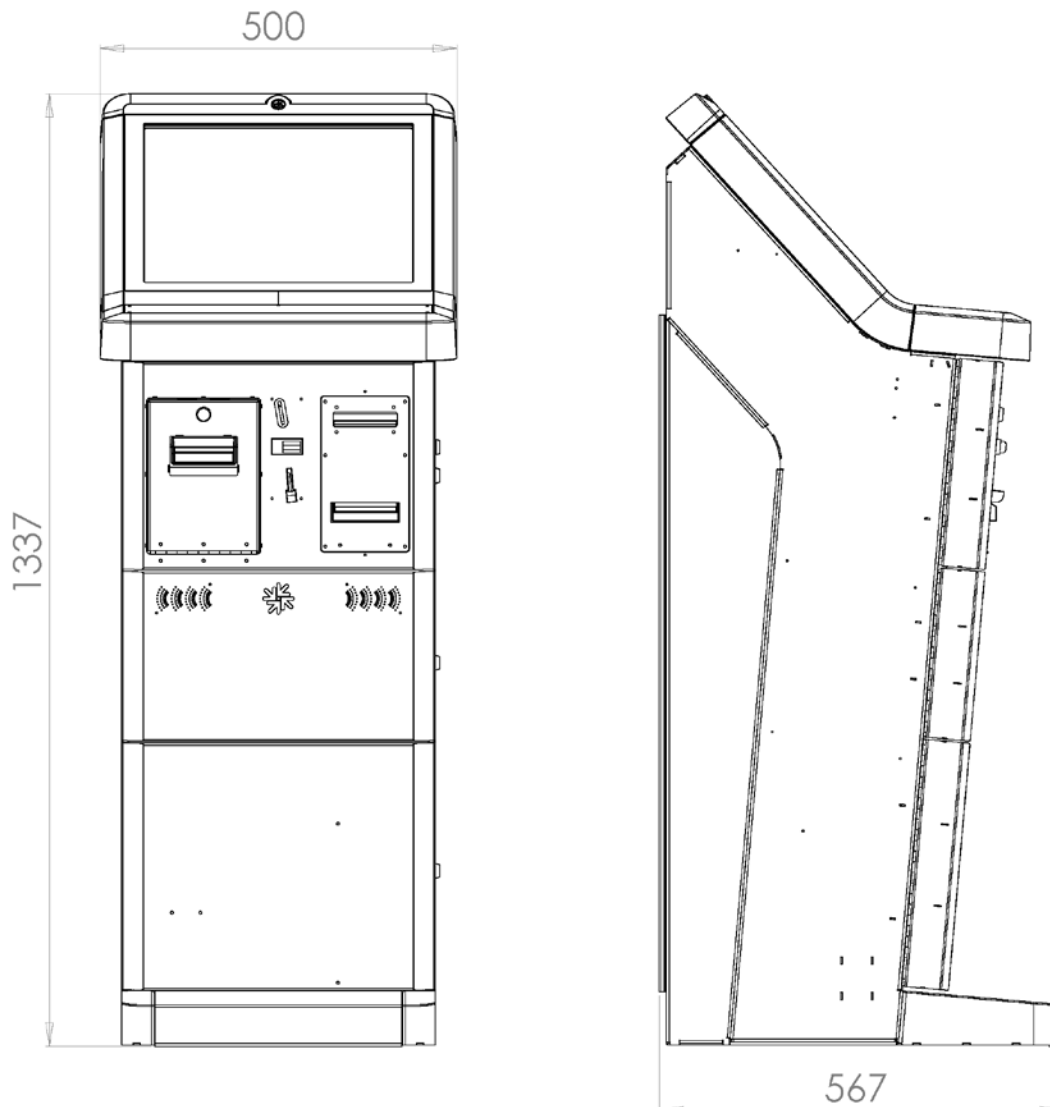


Technical Data

Machine dimensions:

	Single Display		Double Display	
	Unpacked	Packed	Unpacked	Packed
Height	134 cm	149 cm	175 cm	188 cm
Width	50 cm	77 cm	50 cm	77 cm
Depth	57 cm	59 cm	57 cm	59 cm
Weight ¹	85 kg	110 kg	97 kg	122 kg

The packed weight includes a one-way pallet

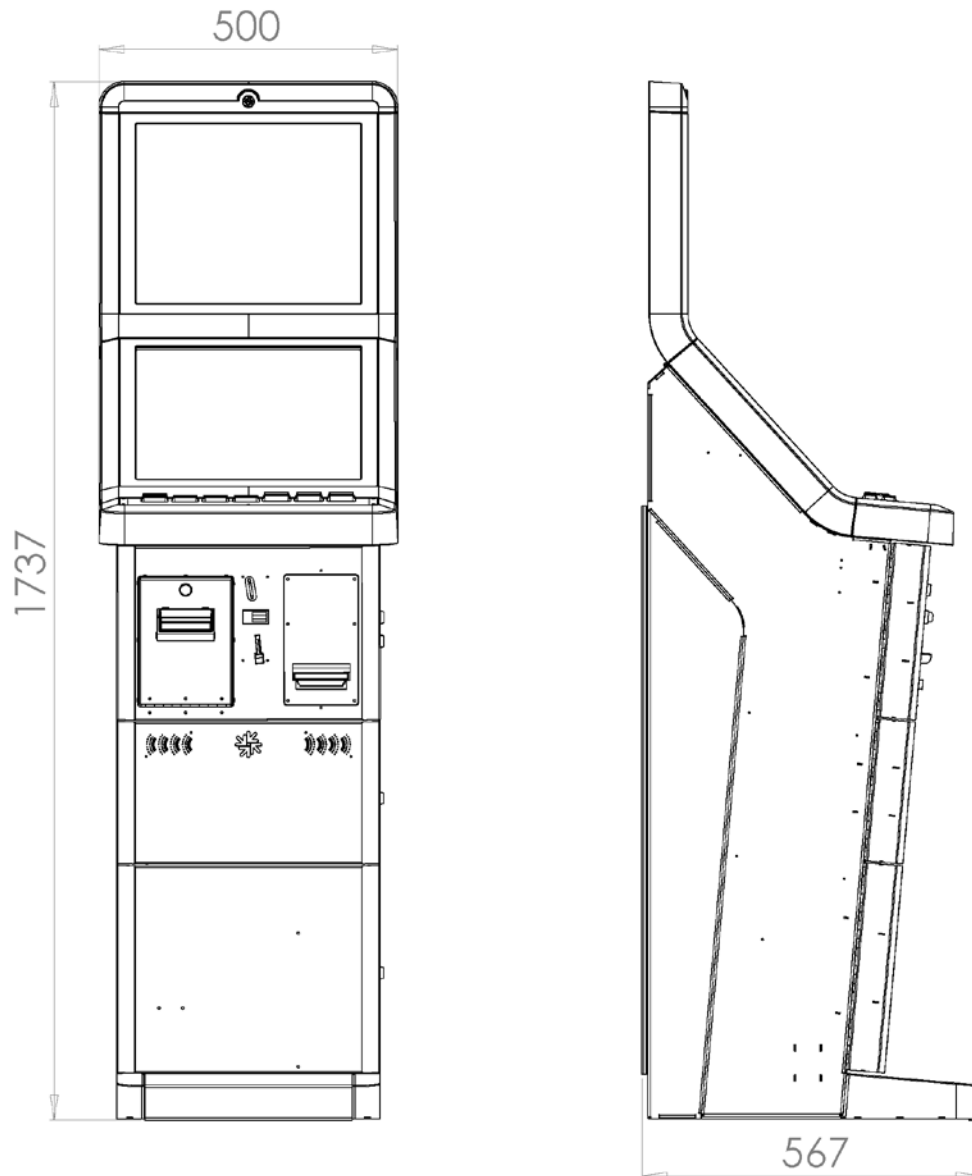


¹ The weight may vary depending on the installed optional components

→ Better games through innovation

TAB-Austria Industrie- und Unterhaltungselektronik GmbH & CoKG
Halder Strasse 40, A-4052 Ansfelden, UID-Nr.: ATU57977639
Tel. +43 (0)7229/78 040-0, Fax +43 (0)7229/78 660, e-mail: sales@tab.at, www.tab.at


TAB
AUSTRIA
www.tab.at



Electrical Data

Electricity 115 - 230 V AC 50 - 60 Hz

Performance 190 watts

Cutout 2 x 4 ampere

Note:

If you want to connect more than one machine to an electric circuit please note: Do not plug in more than 3 machines to a normal installed electrical outlet with a cutout of 16 ampere.

→ Better games through innovation

TAB-Austria Industrie- und Unterhaltungselektronik GmbH & CoKG
Halder Strasse 40, A-4052 Ansfelden, UID-Nr.: ATU57977639
Tel. +43 (0)7229/78 040-0, Fax +43 (0)7229/78 660, e-mail: sales@tab.at, www.tab.at


TAB
AUSTRIA
www.tab.at



Maintenance Operating Elements

Electronic Coin Acceptor

Comestero RM5HD

Acceptor maintenance

This fact sheet provides the necessary information for the clearing and maintenance of the RM5HD electronic coin validator.

Cleaning at regular intervals assures a high quality standard of coin recognition and, in the long run, reduces the risk of error and failure.

External cleaning

The external surfaces of the coin validator are made of a plastic shockproof material (ABS). To clean them it is recommended to use a soft cloth with a neutral detergent. For more resistant dirt ethyl alcohol can be used. To remove excess dust from the coin slots and other narrow spaces the use of compressed air or a paintbrush is recommended.



ATTENTION!

Do not use sharp or abrasive tools, which could damage the surface and the recognizing sensors.
Do not put the coin validator in water or any other type of liquid.

Internal cleaning

In the RM5HD electronic coin validator the coin recognizing sensors are installed behind a small spring door. Open the door to have access to this space as shown (fig.1).

Clean the excess dirt from behind the door with a grease removing spray, for example a normal detergent for windows and mirrors, removing more resistant dirt with a small brush. Ethyl alcohol can be used. Do not touch or spray the sensors!

There are three small holes behind the door. These holes are where the coin recognizing sensors are put in place (fig.2). If dust or dirt blocks these holes the performance of the coin validator could be reduced and, in extreme cases, no coins would be recognized.

To keep the sensors clean whilst in position use compressed air only.



ATTENTION!

Do not use any type of sharp object, such as pins or screw drivers, to remove dust from the sensors as they could be irreparably damaged putting the coin validator out of use.

→ Better games through innovation

TAB-Austria Industrie- und Unterhaltungselektronik GmbH & CoKG
Haider Strasse 40, A-4052 Ansfelden, UID-Nr.: ATU57977639
Tel. +43 (0)7229/78 040-0, Fax +43 (0)7229/78 660, e-mail: sales@tab.at, www.tab.at





Fig.1

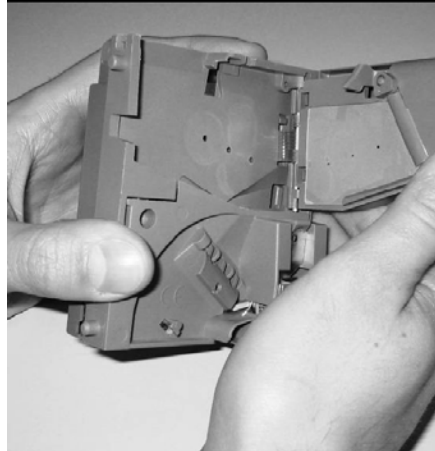


Fig.2

If the coin validator is still inefficient after cleaning do not hesitate to contact our hotline.

→ Better games through innovation

TAB-Austria Industrie- und Unterhaltungselektronik GmbH & CoKG
Halder Strasse 40, A-4052 Ansfelden, UID-Nr.: ATU57977639
Tel. +43 (0)7229/78 040-0, Fax +43 (0)7229/78 660, e-mail: sales@tab.at, www.tab.at





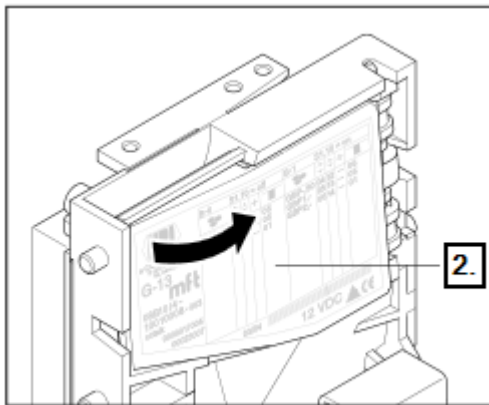
NRI G-13 mft

Acceptor maintenance

The coin validator must only be wiped clean from time to time with a damp cloth (lukewarm water with some detergent). Beyond that, no further maintenance work is required. Under no circumstances may the cloth be so wet that fluid runs into the device. Otherwise the PCB will be damaged.

Do not use any solvents or scouring agents that will attack the plastic material of the device.

1. Pull the machine's mains plug
2. Carefully open the flight deck on the left-hand side and hold it open
3. Use a cloth to wipe off the coin runway inside the coin validator.
4. Close the flight deck again.
5. Reconnect the machine to the mains supply.



Open the flight deck of the coin validator.

→ Better games through innovation

TAB-Austria Industrie- und Unterhaltungselektronik GmbH & CoKG
Halder Strasse 40, A-4052 Ansfelden, UID-Nr.: ATU57977639
Tel. +43 (0)7229/78 040-0, Fax +43 (0)7229/78 660, e-mail: sales@tab.at, www.tab.at





Bill Acceptor

Astro GBA ST2 (drop box)

Periodical Cleaning

Depending on the environment and amount of use, the ST2 currency validator may require routine

- Maintenance to restore optimum performance
- Under normal use, the currency validator should be checked every **2 to 4 months**
- For unusual operating conditions, such as when the currency validator is exposed to a smoky environment, dirt, dust, water spray, airborne oil, and/or sand, more frequent maintenance is required.

Cleaning Process

1. Power down the currency validator and disconnect the external host loom.



→ Better games through innovation

TAB-Austria Industrie- und Unterhaltungselektronik GmbH & CoKG
Halder Strasse 40, A-4052 Ansfelden, UID-Nr.: ATU57977639
Tel. +43 (0)7229/78 040-0, Fax +43 (0)7229/78 660, e-mail: sales@tab.at, www.tab.at

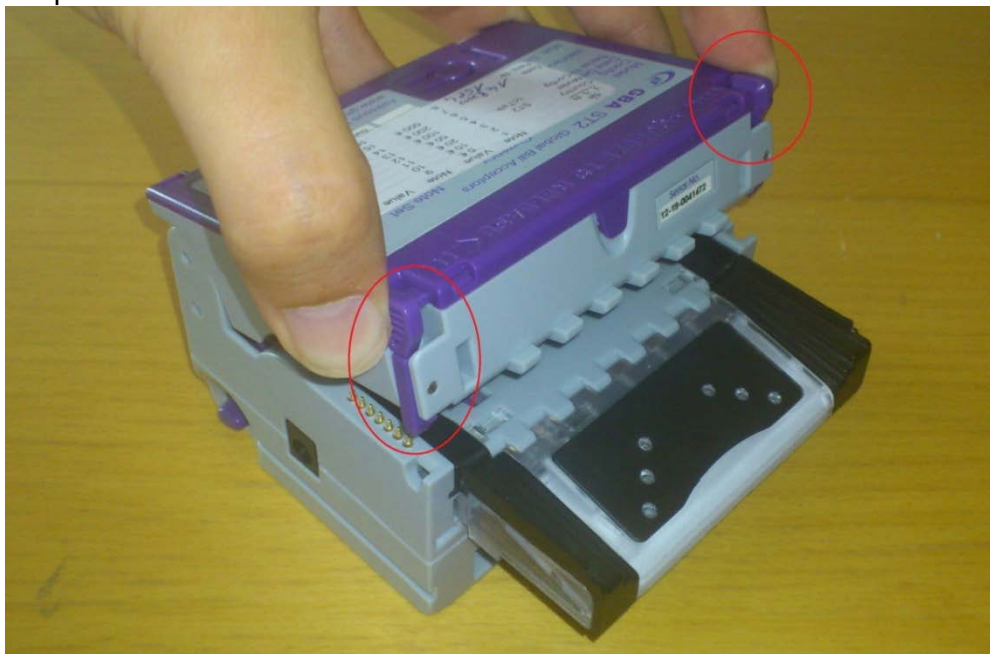




2. To remove the GBA ST2 from the faceplate, gently push the two purple bezel retainer buttons inwards until they are in contact with the validator. With these depressed, pull on the validator to remove from its locking stage.



3. Move the two purple latches inwards to unlatch and then gently pivot top section backwards to open and remove.



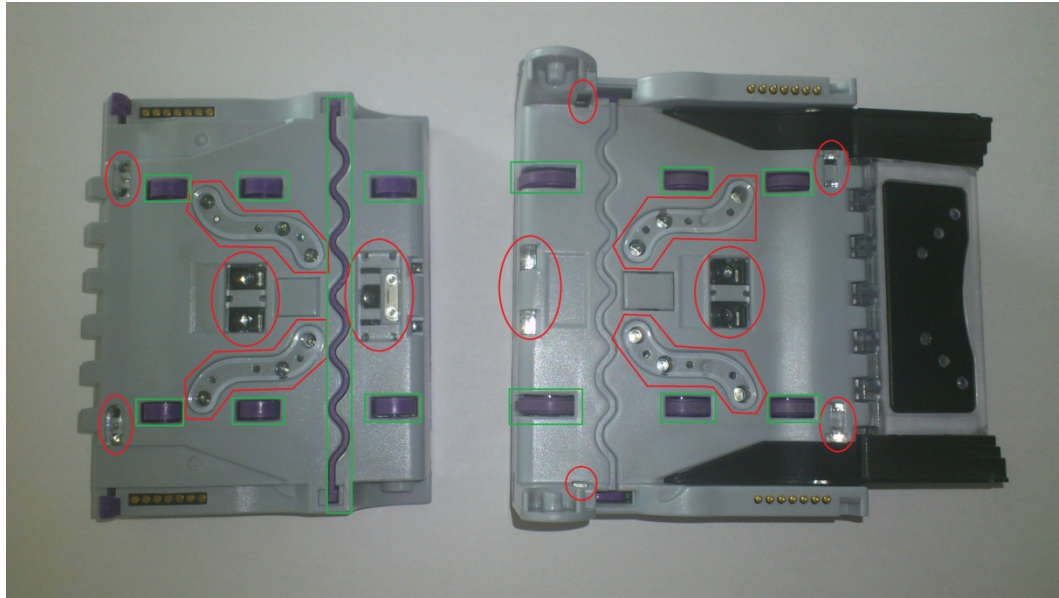
→ Better games through innovation

TAB-Austria Industrie- und Unterhaltungselektronik GmbH & CoKG
Halder Strasse 40, A-4052 Ansfelden, UID-Nr.: ATU57977639
Tel. +43 (0)7229/78 040-0, Fax +43 (0)7229/78 660, e-mail: sales@tab.at, www.tab.at





4. Please use a cotton swab or lint-free cloth and a cleaning solution -- a mix of water and up to 50 % Iso Propyl Alcohol (IPA) is recommended.
 - DO NOT use more than 50 % IPA. NEVER use solvent-based cleaning agents, such as pure alcohol, petrol, methylated spirit or white spirit on this product as the unit will be severely damaged.
 - Using the Cotton swab or cloth dipped in the cleaning solution - carefully clean all sensors and plastic windows using light force only.



- Continue with swab to clean note path, all rollers and belts.
 - Use an additional swab or cloth to dry area cleaned, if required.
 - Reconnect host loom.
5. To refit the currency validator to the faceplate simply, insert the two black locating legs into the holes and push fully until you hear a loud clipping sound.
 6. Pull fully on the validator to ensure correct fitment.

→ Better games through innovation

TAB-Austria Industrie- und Unterhaltungselektronik GmbH & CoKG
Halder Strasse 40, A-4052 Ansfelden, UID-Nr.: ATU57977639
Tel. +43 (0)7229/78 040-0, Fax +43 (0)7229/78 660, e-mail: sales@tab.at, www.tab.at





Calibration

Although calibration of the Astro ST2 is not necessary, it is recommended periodically for preventative maintenance, and also after any change to the software configuration of the unit.

To carry out this calibration you need two adjustment papers for the Astro ST2.

(Order number: 28600035 - Calibration paper set Astro ST2).



Procedure:

1. Push button 3 times, the rear diagnostic LED will rapidly flash orange to show the unit is in calibration mode.



→ Better games through innovation

TAB-Austria Industrie- und Unterhaltungselektronik GmbH & CoKG
Halder Strasse 40, A-4052 Ansfelden, UID-Nr.: ATU57977639
Tel. +43 (0)7229/78 040-0, Fax +43 (0)7229/78 660, e-mail: sales@tab.at, www.tab.at


TAB
AUSTRIA
www.tab.at



2. Insert the white calibration paper. It should be presented in the center of the note path and square to the direction of travel.

The currency validator will draw-in the paper all the way into the cassette; hold it momentarily before returning it in several short steps.

3. Remove the white calibration paper and insert the black calibration paper.

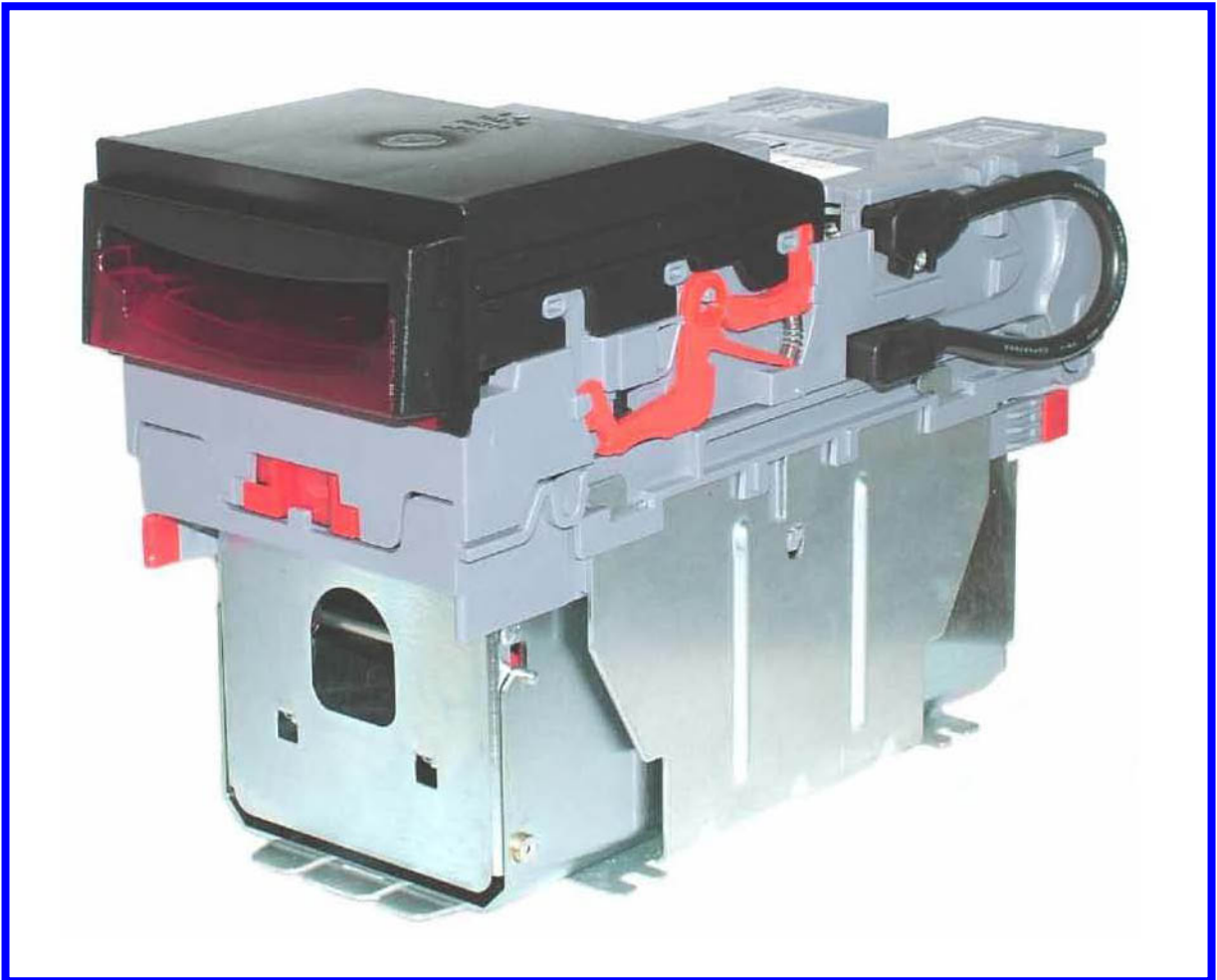
The unit will draw-in the paper and return it immediately in one smooth action.

4. Calibration is complete.

If calibration has not been successful, the diagnostic LED will repeatedly flash a four color error code until the push button is pressed to cancel.



ITL NV9 (drop box)



The NV9 Validator has been designed to minimize any performance variation over time. Much of this is achieved by careful hardware and software design.

However, depending upon the environment the NV9 may at some time require cleaning, belt changing or note path clearing.

→ Better games through innovation

TAB-Austria Industrie- und Unterhaltungselektronik GmbH & CoKG
Halder Strasse 40, A-4052 Ansfelden, UID-Nr.: ATU57977639
Tel. +43 (0)7229/78 040-0, Fax +43 (0)7229/78 660, e-mail: sales@tab.at, www.tab.at


TAB
A U S T R I A
www.tab.at



Cleaning



ATTENTION!

Do NOT use solvent based cleaners such as alcohol, petrol, methylated spirits, white spirit or PCB cleaner.

This will result in permanent damage to the validator - only use a mild detergent.

To clean, slide the red release catch on the end of the NV9 Validator to the left, to open the note path. The note path and lozenge are now exposed for cleaning.

Carefully wipe the surfaces with a soft lint free cloth that has been dampened with a water and mild detergent solution (i.e. household washing up liquid). Take particular care around all the sensor lenses, ensuring they are clean and dry.



ATTENTION!

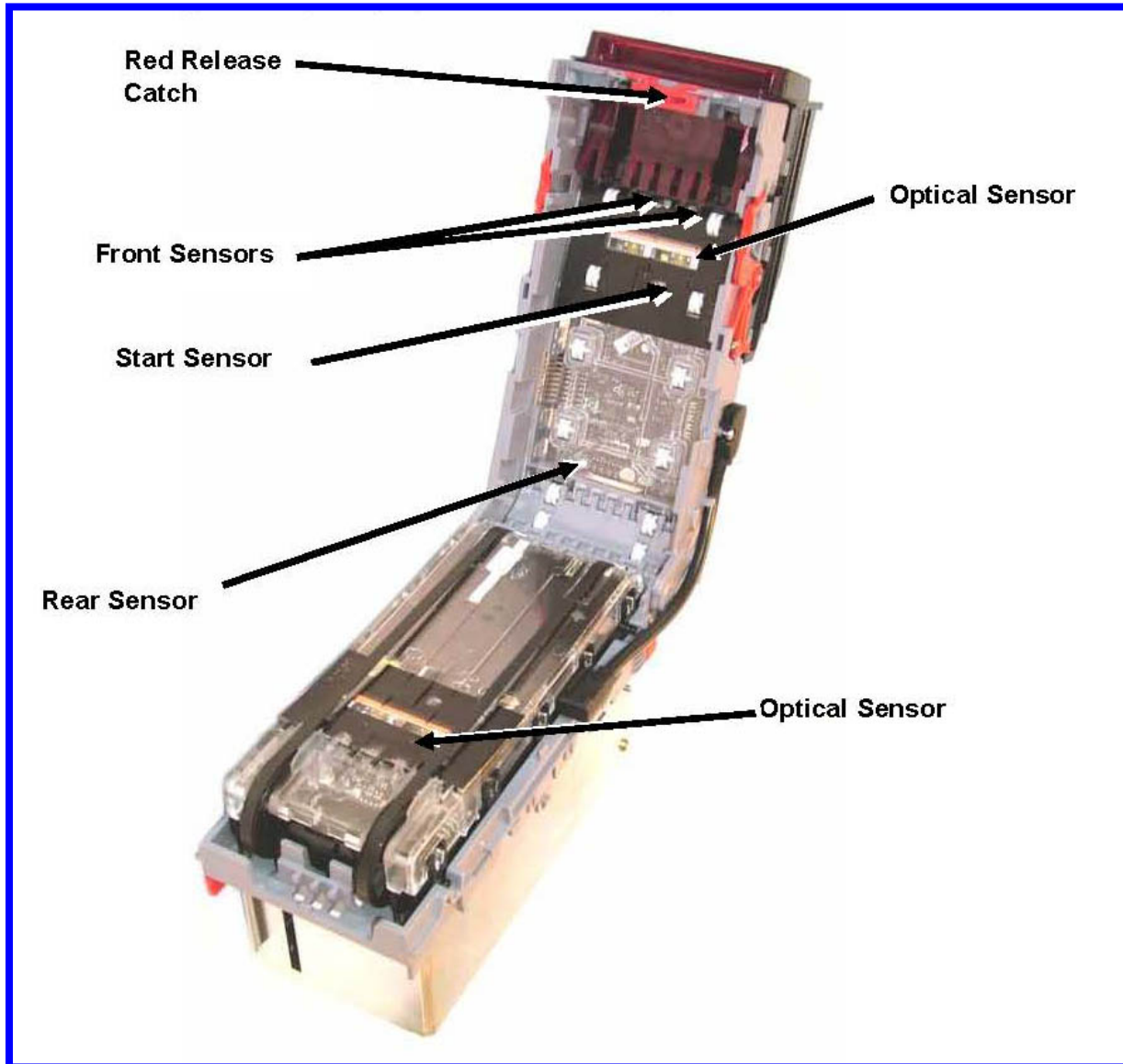
When cleaning the recessed front sensors, use a small soft brush or cotton wool bud.

If a lens has become badly scratched do not attempt to polish it. Contact ITL for further advice, as there may be damage to the optical properties of the lens.

→ Better games through innovation

TAB-Austria Industrie- und Unterhaltungselektronik GmbH & CoKG
Halder Strasse 40, A-4052 Ansfelden, UID-Nr.: ATU57977639
Tel. +43 (0)7229/78 040-0, Fax +43 (0)7229/78 660, e-mail: sales@tab.at, www.tab.at





→ Better games through innovation

TAB-Austria Industrie- und Unterhaltungselektronik GmbH & CoKG
Halder Strasse 40, A-4052 Ansfelden, UID-Nr.: ATU57977639
Tel. +43 (0)7229/78 040-0, Fax +43 (0)7229/78 660, e-mail: sales@tab.at, www.tab.at

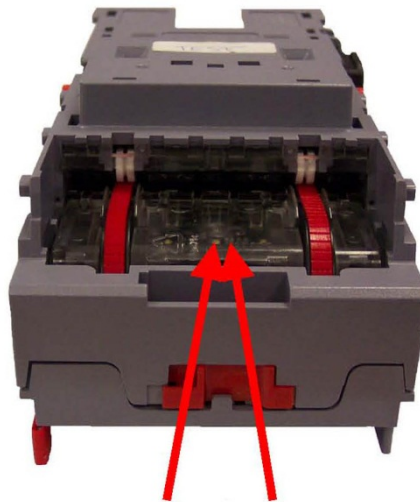




Belt Cleaning

1. Ensure the validator is enabled (i.e. Bezel lights are illuminated)
2. Remove Bezel
3. Insert a piece of paper, which is narrower than the width between the two belts, in the center of the note path to activate the drive motor.
4. Use a lint free cloth dampened with water containing a mild detergent such as dish detergent and hold it against each drive belt as it turns.
5. Repeat steps 3 and 4 until all dust and debris has been removed from both belts.
6. Repeat step 3 using a DRY lint free cloth to remove any excess moisture.

Rear Sensor



Insert Paper

Note Path Debris Clearing / Belt Changing

To access the note path and lozenge, slide the red release catch on the end of the NV9 Validator and lift to open. Push the lozenge release catch and lift; the note path and lozenge are now exposed for maintenance.

→ Better games through innovation

TAB-Austria Industrie- und Unterhaltungselektronik GmbH & CoKG
Halder Strasse 40, A-4052 Ansfelden, UID-Nr.: ATU57977639
Tel. +43 (0)7229/78 040-0, Fax +43 (0)7229/78 660, e-mail: sales@tab.at, www.tab.at





Debris Clearing

Examine the note path, lozenge and the note stacker for any dirt or debris.

Carefully clear and wipe the surfaces of the note path and lozenge with a soft lint free cloth that has been dampened with a water and mild detergent solution (i.e. household washing up liquid). Take particular care around all the sensor lenses, ensuring they are clean and dry.

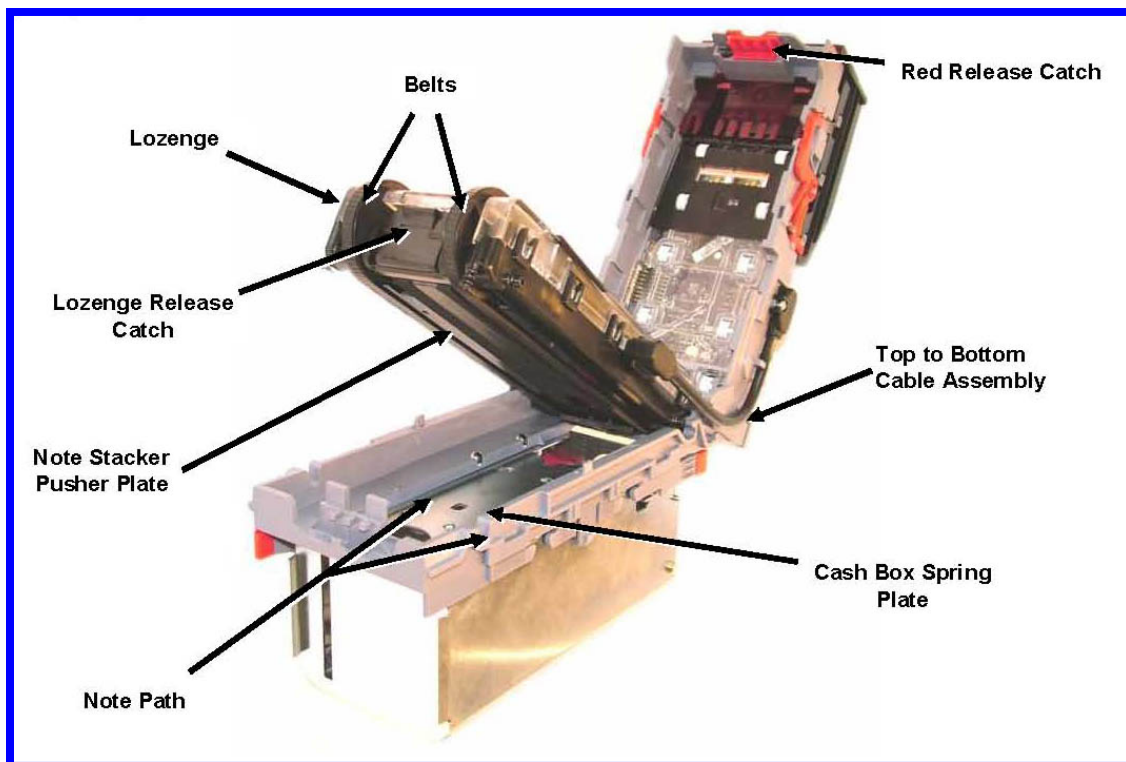
Check that the note stacker and cash box spring plate are not jammed.

Belt Changing

With the NV9 lozenge exposed carefully unplug the bottom connector of the “top to bottom cable assembly” from the lozenge.

Remove and place the lozenge on a clean dry surface and remove the belts, sliding them off the smallest wheels first. Replace the belts using the reverse procedure from the above.

NOTE: With the Locking Cash Box, the Locking screw must be removed first.



→ Better games through innovation

TAB-Austria Industrie- und Unterhaltungselektronik GmbH & CoKG
Halder Strasse 40, A-4052 Ansfelden, UID-Nr.: ATU57977639
Tel. +43 (0)7229/78 040-0, Fax +43 (0)7229/78 660, e-mail: sales@tab.at, www.tab.at


TAB
A U S T R I A
www.tab.at



JCM UBA-10-SS and UBA-14-SS (stacker)



→ Better games through innovation

TAB-Austria Industrie- und Unterhaltungselektronik GmbH & CoKG
Halder Strasse 40, A-4052 Ansfelden, UID-Nr.: ATU57977639
Tel. +43 (0)7229/78 040-0, Fax +43 (0)7229/78 660, e-mail: sales@tab.at, www.tab.at





Maintenance

Periodical Cleaning

Depending on its environment and amount of use, the UBA bill acceptor may require routine maintenance to restore optimum performance.

Under normal use, the UBA bill acceptor should be checked every 2 to 3 months. For unusual operating conditions, such as when the UBA bill acceptor is exposed to a smoky environment, dirt, dust, water spray, airborne oil, and/or sand, more frequent maintenance will be required.

Cleaning Process

1. Switch off the gaming machine and open main and display door
2. Open the bill acceptor by pulling the blue clips.



3. Please use a soft and lint-free cloth dampened with a weak solution of washing liquid and water and clean the following areas:
 - the upper and lower note paths
 - the belts
 - the top and bottom pinch wheels of note path.

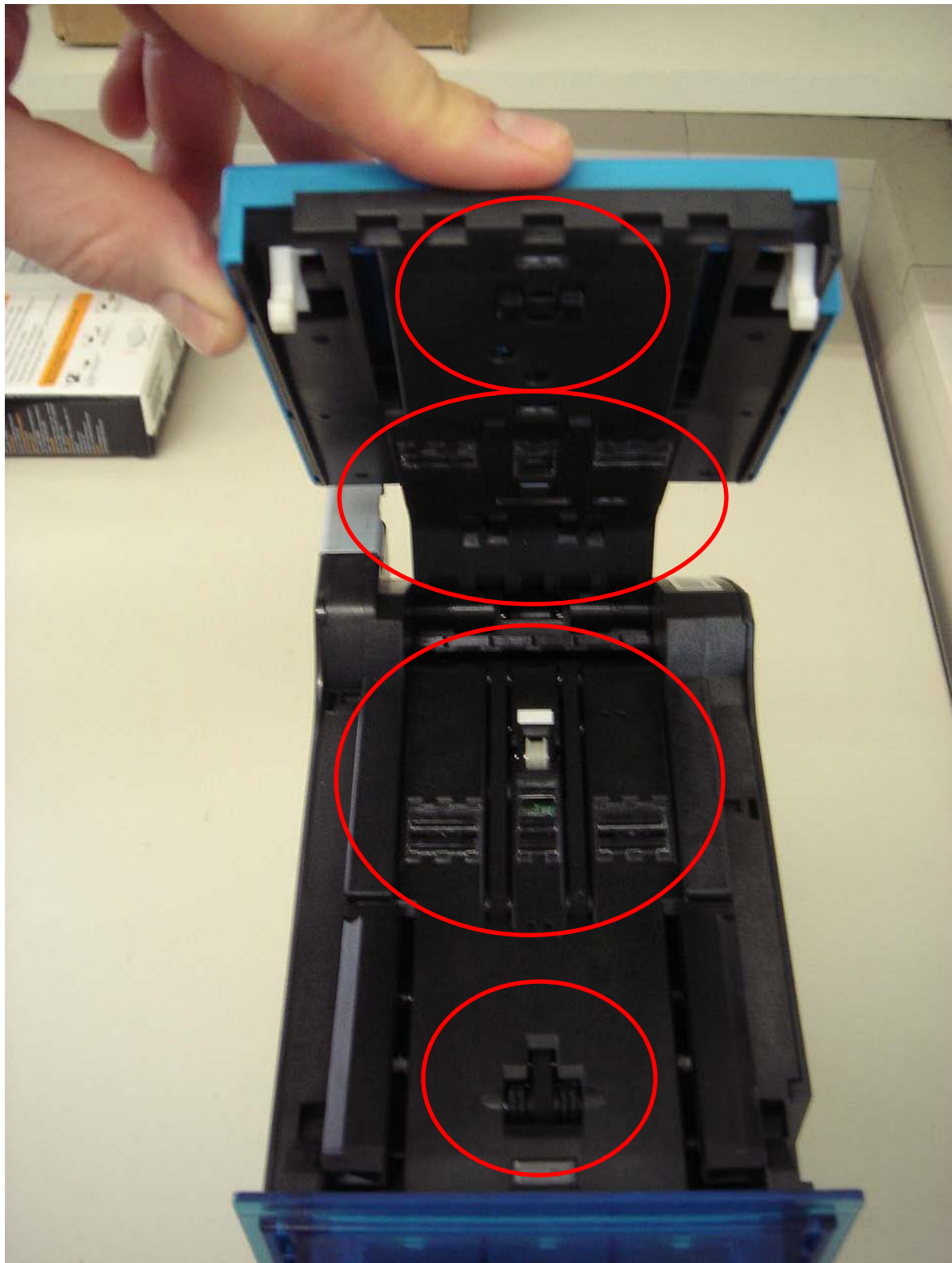
Please do NOT use!

Sharp or abrasive tools, Compressed air, Alcohol

→ Better games through innovation

TAB-Austria Industrie- und Unterhaltungselektronik GmbH & CoKG
Halder Strasse 40, A-4052 Ansfelden, UID-Nr.: ATU57977639
Tel. +43 (0)7229/78 040-0, Fax +43 (0)7229/78 660, e-mail: sales@tab.at, www.tab.at





→ Better games through innovation

TAB-Austria Industrie- und Unterhaltungselektronik GmbH & CoKG
Halder Strasse 40, A-4052 Ansfelden, UID-Nr.: ATU57977639
Tel. +43 (0)7229/78 040-0, Fax +43 (0)7229/78 660, e-mail: sales@tab.at, www.tab.at





MEI Cashflow SC83 (stacker)

Maintenance

According to the manufacturer MEI no maintenance is required.

→ Better games through innovation

TAB-Austria Industrie- und Unterhaltungselektronik GmbH & CoKG
Halder Strasse 40, A-4052 Ansfelden, UID-Nr.: ATU57977639
Tel. +43 (0)7229/78 040-0, Fax +43 (0)7229/78 660, e-mail: sales@tab.at, www.tab.at





Printer

Epson TM-T88V (thermal printer)

Maintenance

Cleaning the Printer Case

Be sure to turn off the printer, and wipe the dirt off the printer case with a dry cloth or a damp cloth.



ATTENTION!

Never clean the product with alcohol, benzine, thinner, or other such solvents. Doing so may damage or break the parts made of plastic and rubber.

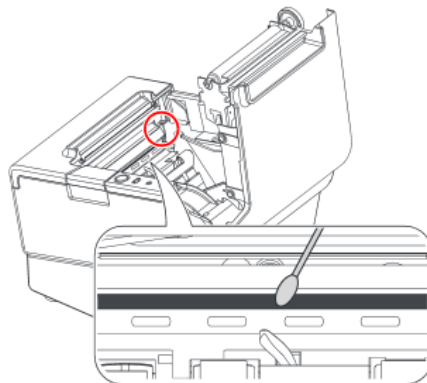
Cleaning the Thermal Head



ATTENTION!

After printing, the thermal head and the frame on its side (indicated in the circle in illustration below) can be very hot. Be careful not to touch it and to let it cool before you clean it. Do not damage the thermal head by touching it with your fingers or any hard object.

Turn off the printer, open the roll paper cover, and clean the thermal elements of the thermal head with a cotton swab moistened with an alcohol solvent (ethanol or IPA). Epson recommends cleaning the thermal head periodically (generally every 3 months) to maintain receipt print quality.



→ Better games through innovation

TAB-Austria Industrie- und Unterhaltungselektronik GmbH & CoKG
Halder Strasse 40, A-4052 Ansfelden, UID-Nr.: ATU57977639
Tel. +43 (0)7229/78 040-0, Fax +43 (0)7229/78 660, e-mail: sales@tab.at, www.tab.at


TAB
A U S T R I A
www.tab.at



Transact Epic 950TM (ticket printer)

Paper load and maintenance

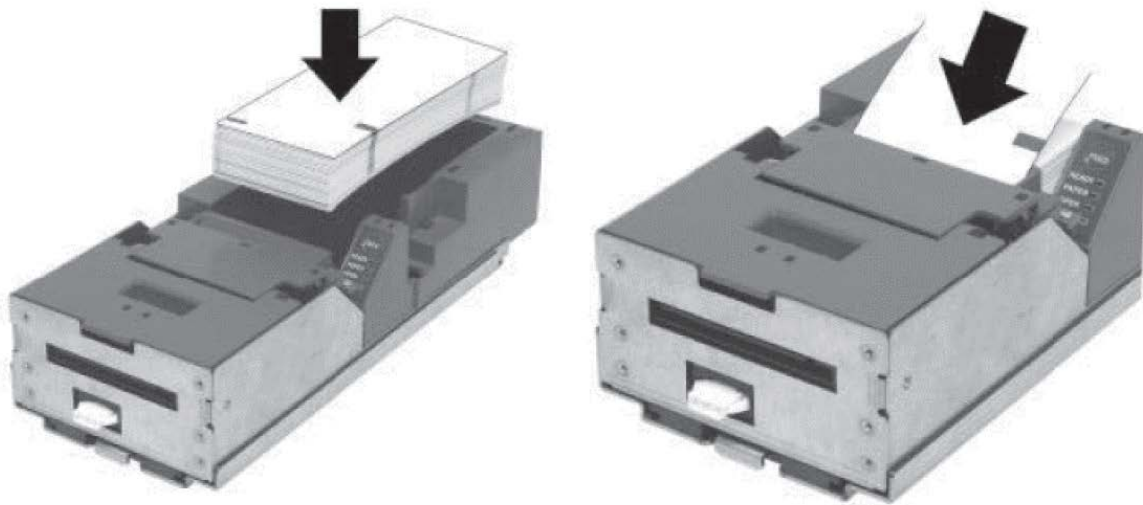
Loading tickets into feeding mechanism.

When loading new ticket stacks, be sure that there is power to the printer.

The first ticket of the stack must be inserted into the printer by hand.

The printer's ticket tray is integrated with a guide to direct the ticket into the printer mechanism.

Once the leading ticket enters the Top of Form sensor, the ticket will be automatically fed into the printer mechanism.



Loading tickets into the ticket supply train, making sure that the Black Dot is positioned as shown.

→ Better games through innovation

TAB-Austria Industrie- und Unterhaltungselektronik GmbH & CoKG
Halder Strasse 40, A-4052 Ansfelden, UID-Nr.: ATU57977639
Tel. +43 (0)7229/78 040-0, Fax +43 (0)7229/78 660, e-mail: sales@tab.at, www.tab.at

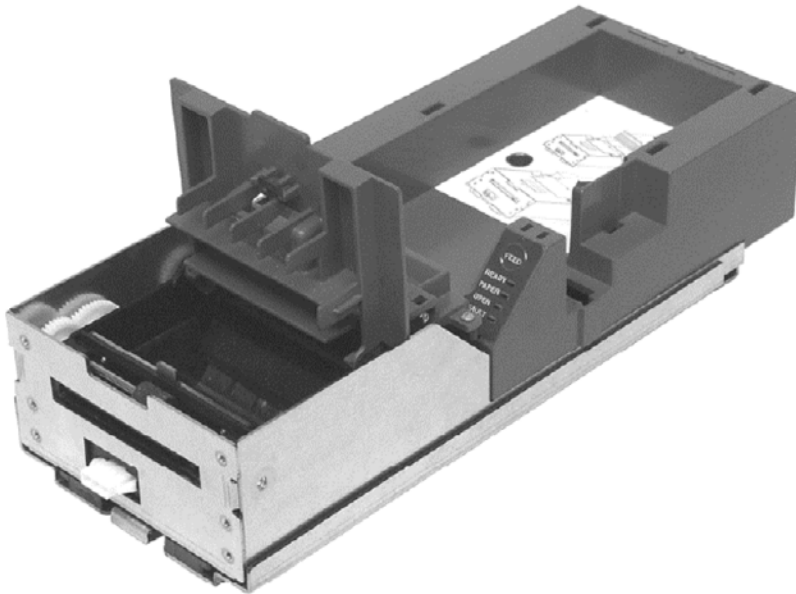




Removing Loaded Tickets (paper jam)

There are two ways to remove unused tickets:

1. The first way is to release the ticket cover by lifting and rotating backwards, this will relieve pressure to the platen and ticket can be removed.
This will also allow an opening that provides space to check the ticket for printer jams, or prepare the paper path for ticket replenishing.
2. The second way is to use the feed button, which will feed out tickets from within the printer mechanism.



Cleaning the Printer Head

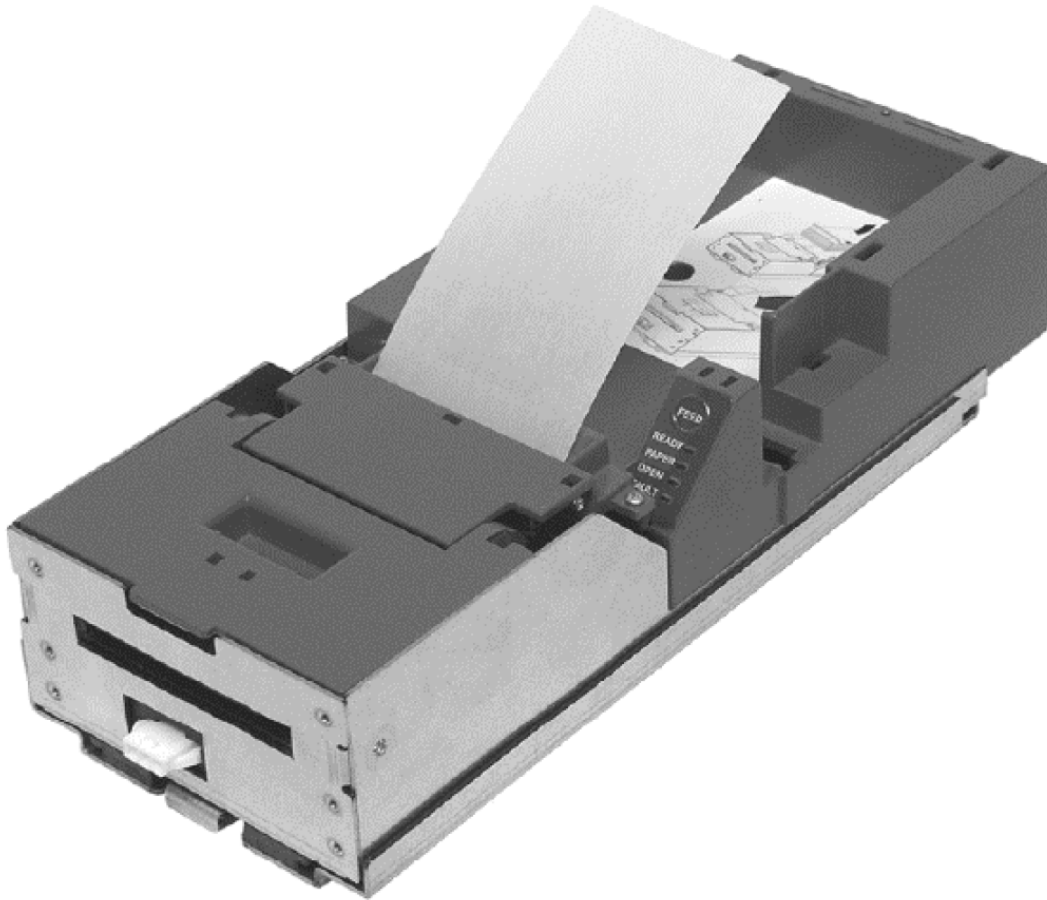
Two kinds of periodical cleaning operations will ensure continued high print quality from your printer:

1. Paper dust removal
Use a soft brush to clean the paper dust from inside the printer and chassis area. The paper dust should also be removed from the sensor optics.
2. Cleaning thermal printer head
If streaking on the printer ticket is evident, the thermal print header may need to be cleaned.
This can be done by inserting a thermal printer cleaning card, as shown in the instructions below:

→ Better games through innovation

TAB-Austria Industrie- und Unterhaltungselektronik GmbH & CoKG
Halder Strasse 40, A-4052 Ansfelden, UID-Nr.: ATU57977639
Tel. +43 (0)7229/78 040-0, Fax +43 (0)7229/78 660, e-mail: sales@tab.at, www.tab.at





Detailed instructions

- a) Open the cover and remove all tickets from ticket feed path.
- b) Close the cover.
- c) Open cleaning card pouch and remove cleaning card.
- d) Insert cleaning card into feed path.
- e) The cleaning card will automatically be drawn into the feed path.
- f) Open the cover and then remove the cleaning card by gently pulling it back.
- g) Repeat process if necessary.
- h) Proper disposal of used cleaning card.

Purchasing Cleaning Cards

Cleaning cards are available through TransAct by telephone or the Internet. 2.5" x 6" Thermal Cleaning Card (box of 25); Part number 100-03322 (TransAct)

→ Better games through innovation

TAB-Austria Industrie- und Unterhaltungselektronik GmbH & CoKG
Halder Strasse 40, A-4052 Ansfelden, UID-Nr.: ATU57977639
Tel. +43 (0)7229/78 040-0, Fax +43 (0)7229/78 660, e-mail: sales@tab.at, www.tab.at





Custom VKP 80II and 80III (roll printer)

Specifications

MTBF:	147823h
USB Connector	12 Mbit/sec
Resolution	203 DPI
Printing method	thermal, fixed head
Head life	100 km
Printing width	from 48mm to 80mm



Paper

Type of paper	thermal rolls, heat sensitive side on outside of roll
Paper width	from 50mm to 82,5mm
Paper weight	from 60 g/m ² to 110 g/m ²
Paper end	not attached to roll core
External roll diameter	max 100mm

Cutter

Estimated life	1 000 000 cutter number
----------------	-------------------------

Environment conditions

Operating temperature	from 0°C to 50°C
Relative humidity	from 10% Rh to 80% Rh

Maintenance

The regular cleaning of the device keeps the print quality and extends its life. The following recommendations should be kept:

Every roll change

- Clean printing head use isopropyl alcohol
- Rollers use isopropyl alcohol

Every 5 roll change

- Cutter use compressed air
- Cutter compartment use compressed air
- Paper path use compressed air
- Sensors use compressed air

→ Better games through innovation

TAB-Austria Industrie- und Unterhaltungselektronik GmbH & CoKG
Halder Strasse 40, A-4052 Ansfelden, UID-Nr.: ATU57977639
Tel. +43 (0)7229/78 040-0, Fax +43 (0)7229/78 660, e-mail: sales@tab.at, www.tab.at


TAB
AUSTRIA
www.tab.at



Card Reader

Transmac SCR28I-SM33U

The lifecycle of the magnetic head is about 500,000 passes and the lifecycle of the chip contact is about 300,000 contacts.

Cleaning process

80% of all equipment failure is caused by the non-regular cleaning of the card reader system. Cleaning cards are specially designed for these readers/encoders to allow for preventative maintenance without dismantling the system. To ensure a proper and failure-free operation of the system, we recommend a regular cleaning by using CLEANING CARDS.

Please get in contact for further information on cleaning cards.

Barcode Reader

Zebex Z-5160 USB

This middle range scan module needs no servicing as there are no moving parts. If it is operated in a dusty area, it may necessary to clean the front of the scanner more often to prevent loosing scanning performance.

Cleaning process

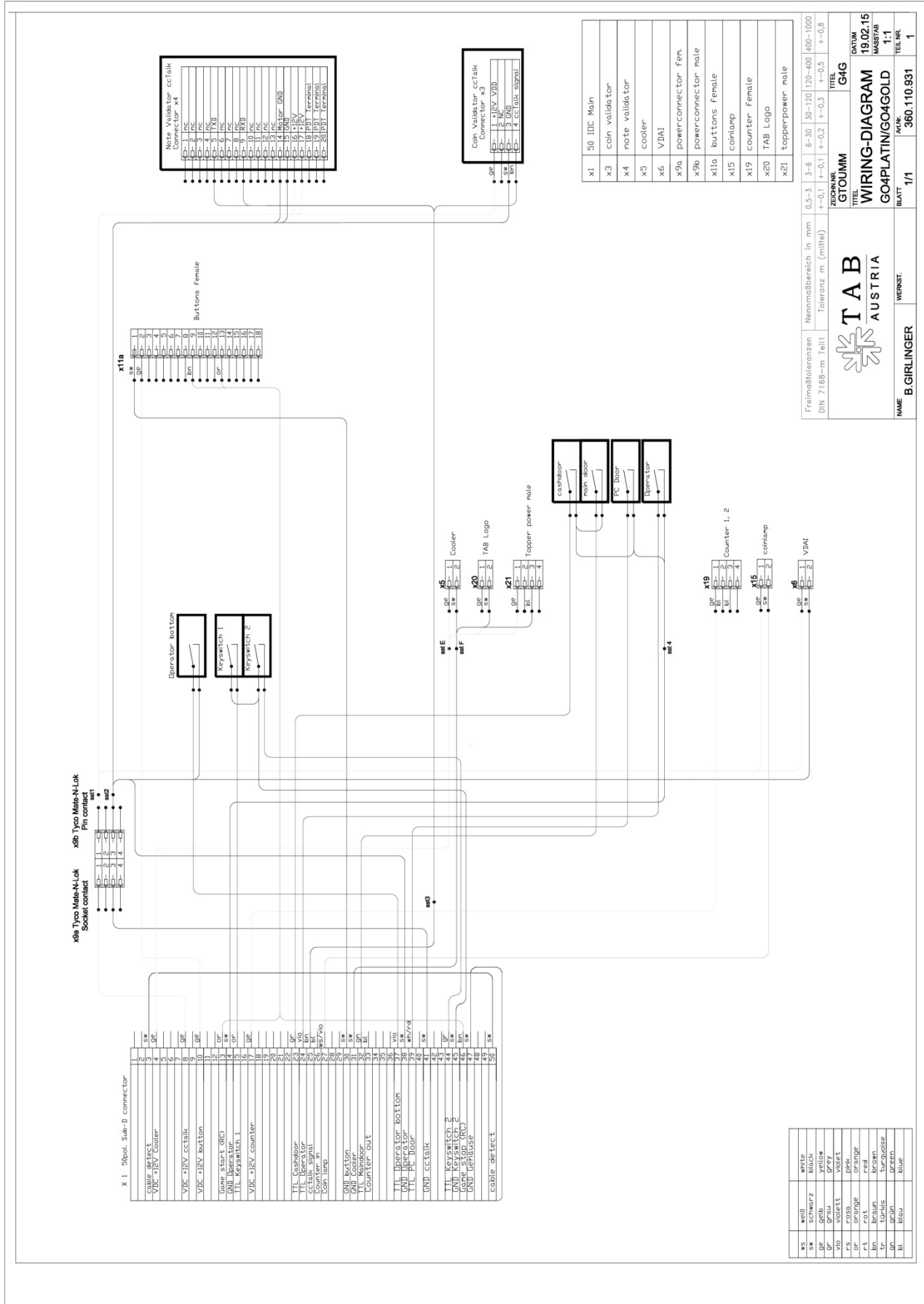
Remove the scanner from its mounting plate by removing three screws. After that, clean the optic sensors with the help of a cotton wool bud.

→ Better games through innovation

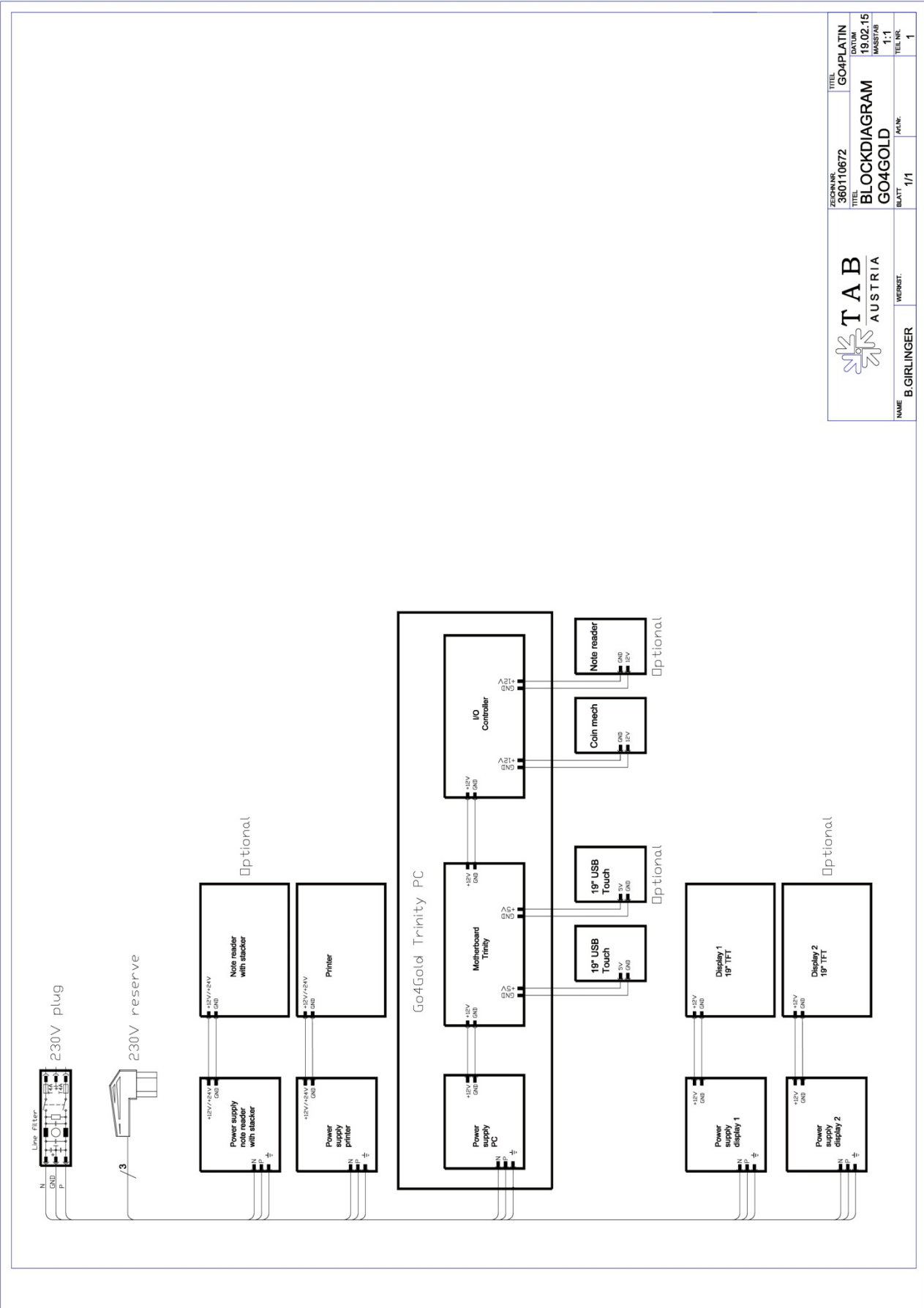
TAB-Austria Industrie- und Unterhaltungselektronik GmbH & CoKG
Halder Strasse 40, A-4052 Ansfelden, UID-Nr.: ATU57977639
Tel. +43 (0)7229/78 040-0, Fax +43 (0)7229/78 660, e-mail: sales@tab.at, www.tab.at




Wiring Diagram Main Harness



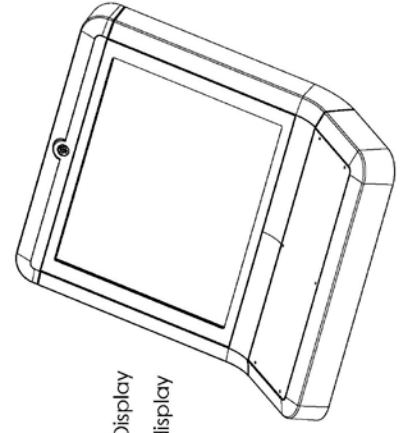
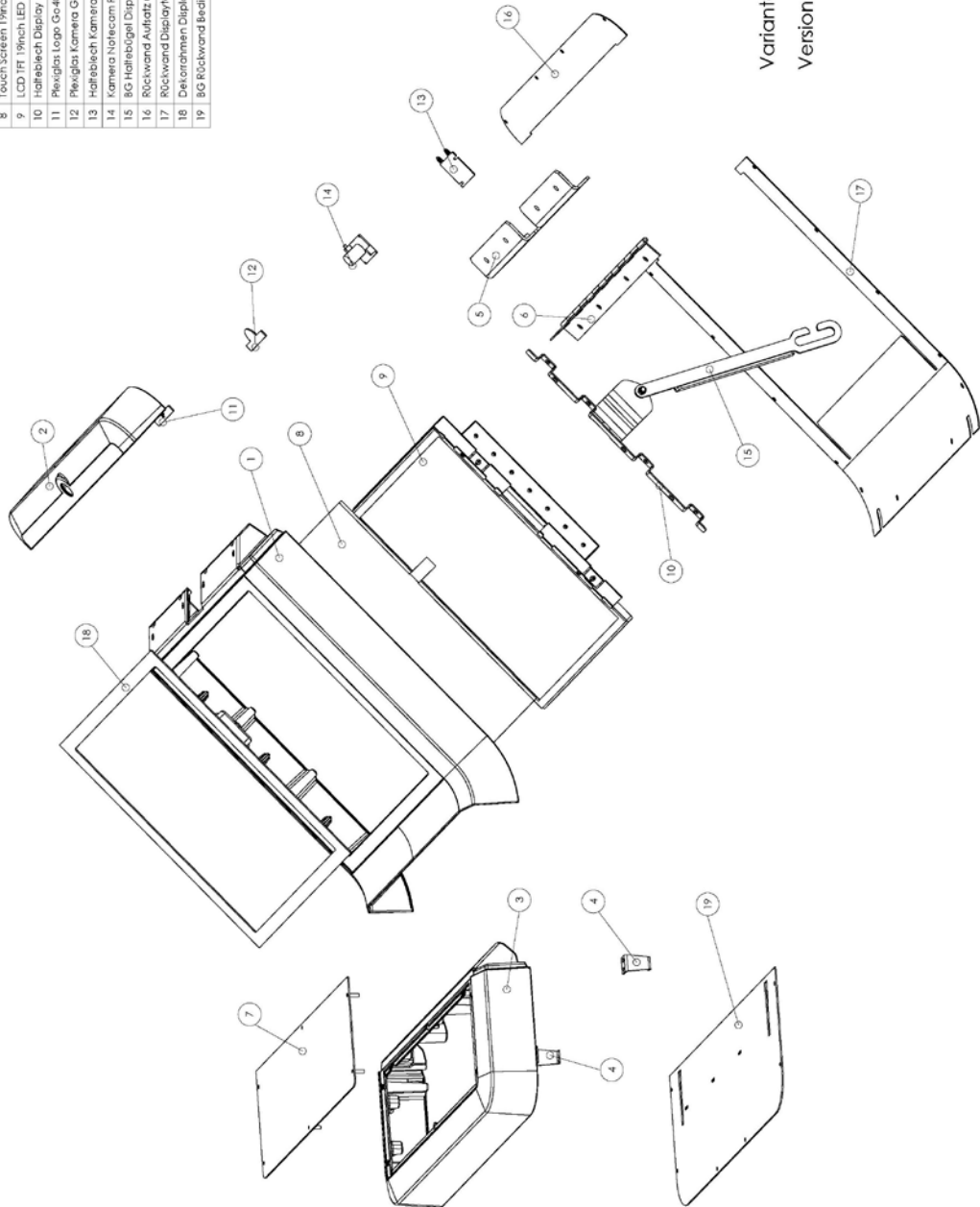
Block Diagram Power Cables



 T A B AUSTRIA	ZEICHNR. 360110672	TITEL BLOCKDIAGRAM GO4GOLD	TITEL GO4PLATIN
	NAME B. GIRLINGER	WERKST. 1/1	DATUM 19.02.15
	BLATT 1/1	A/N. 1	MASSSTAB 1:1

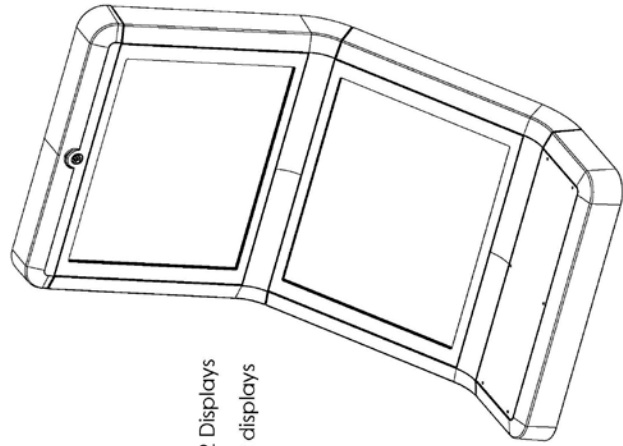
Exploded Assembly Drawings

Pos.	Benennung	Name	Art-Nr.	Menge
1	Displayteil Go4Gold	display panel Go4Gold	022.131-001	1
2	Aufsatzteil Go4Gold	top silver Go4Gold	022.131-002	1
3	Bedienteil Go4Gold	frame control panel Go4Gold	022.131-000	1
4	Verringelungswinkel Displayfront Go4Gold	locking angle displayfront Go4Gold	022.233-719	2
5	Halbleblech Schamler Go4Gold	bracket hinge Go4Gold	675.191-196	1
6	Halbleblech Schamer Front Go4Gold	hinge front Go4Gold	675.191-195	1
7	Tastentafel Bedienteil O.A. Go4Gold	button plate control panel n. c. Go4Gold	022.130-491	1
8	Touch Screen 19inch flat mit USB Controller	Touch screen 19inch flat with USB controller	462.930-102	1
9	LCD TFT 19inch LED VGA_DVI	LCD TFT 19" LED VGA/DVI/DP	831.710-135	1
10	Halbleblech Display Nevada 2	Flangeplate display Nevada 2	022.130-372	2
11	Flexiglas Logo Go4Gold	plexiglass logo Go4Gold	672.165-852	1
12	Flexiglas Kamera Go4Gold	plexiglass camera Go4Gold	672.164-414	1
13	Halbleblech Kamera Go4Gold	bracket camera Go4Gold	022.983-202	1
14	Kamera NoteCam Pro	Camera NoteCam Pro	831.900-011	1
15	8G Halbleblech Displayfront Go4Gold	holding bar for displayfront Go4Gold	022.980-238	1
16	Rückwand Aufsatz unten Go4Gold	backplate cap bottom Go4Gold	210.071-585	1
17	Rückwand Displayteil unten Go4Gold	backplate display bottom Go4Gold	210.071-587	1
18	Dekorrahmen Display schwarz Go4Gold	plastic frame display black Go4Gold	675.160-093	1
19	8G Rückwand Bedienteil Go4Gold	backplate control panel Go4Gold	022.130-483	1

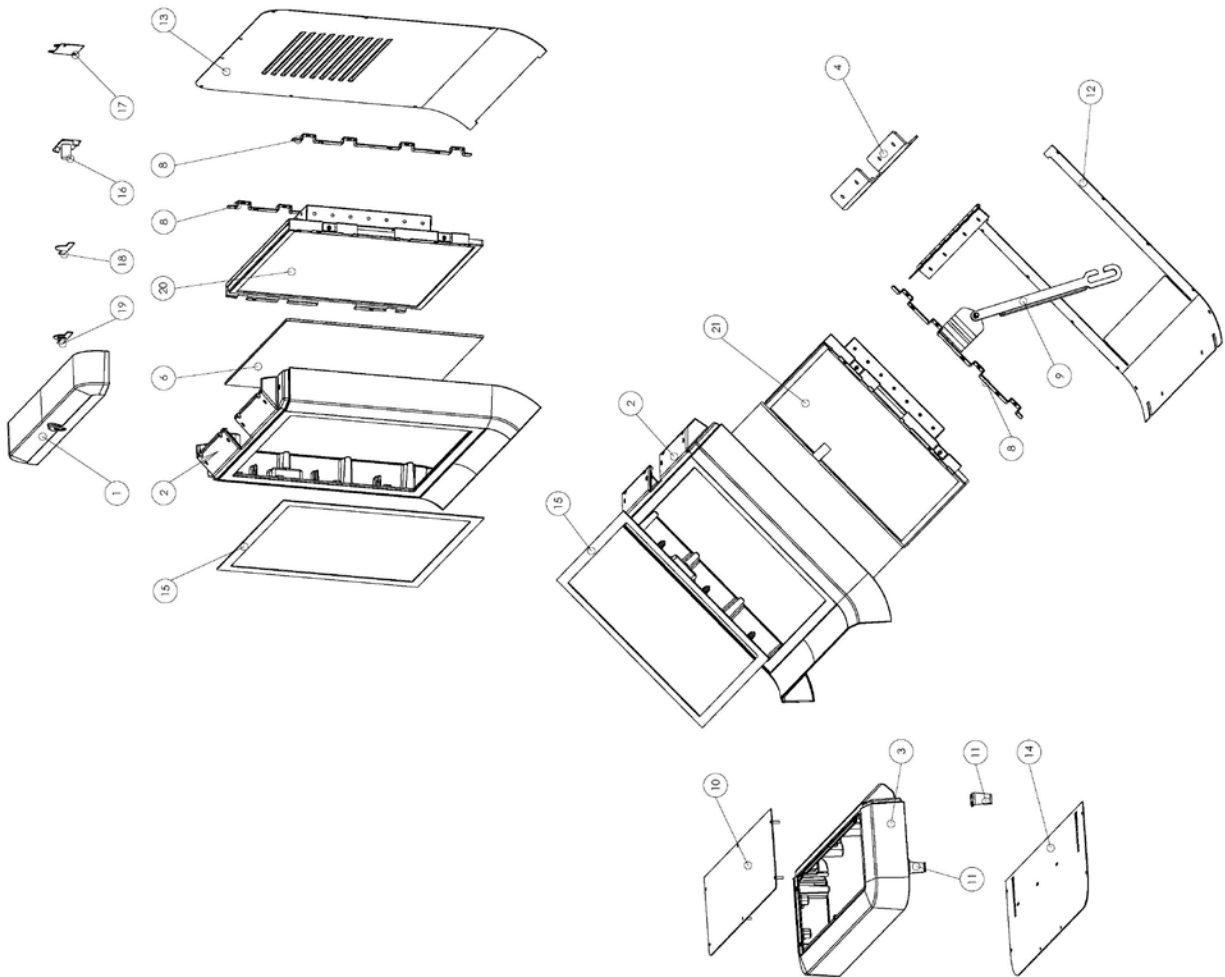


Variante mit 1 Display
Version with 1 display

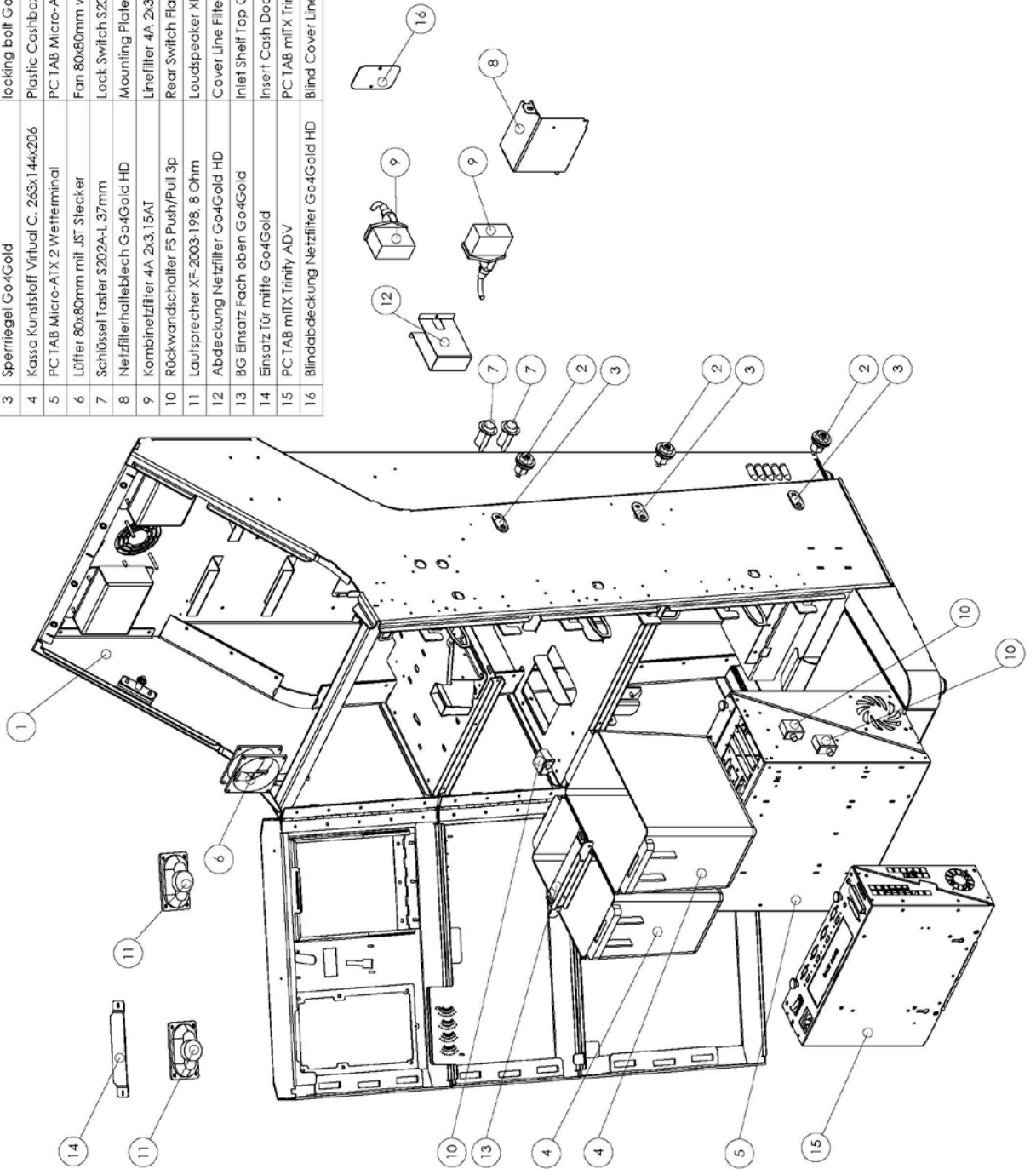
Pos	Bezeichnung	Appellation	Part.Nr.	Quantity
1	Außerteil Go4Gold	Top silver Go4Gold	022.131-002	1
2	Displayteil Go4Gold	display panel Go4Gold	022.131-001	2
3	Bedienteil Go4Gold	frame control panel Go4Gold	022.131-000	1
4	Halbletech Schamler Go4Gold	backset hinge Go4Gold	675.191-196	1
5	BG Schamler Front Go4Gold	hinge front Go4Gold	675.191-195	1
6	Sicherheitsglas 19inch, 6mm, Refle	Security Glass 19"	831.800-003	1
7	Touch Screen 19inch flad mit USB Controller	Touchscreen 19inch flat with USB controller	462.930-102	1
8	Halbletech Display Nevada 2	Halfplate display Nevada 2	022.130-372	4
9	BG Halbletech Displayfront Go4Gold	holding bar for display/front Go4Gold	022.060-238	1
10	Interleubende Bedienteil O.A. Go4Gold	button plate control panel n. c. Go4Gold	022.130-491	1
11	Verriegelungswinkel Displayfront Go4Gold	locking angle displayfront Go4Gold	022.229-719	2
12	Rückwand Displayteil unten Go4Gold	backplate display bottom Go4Gold	210.071-587	1
13	Rückwand Displayteil oben Go4Gold	backplate display top Go4Gold	210.071-588	1
14	BG Rückwand Bedienteil Go4Gold	Backplate control panel Go4Gold	022.130-483	1
15	Deckrahmen Display schwarz Go4Gold	plastic frame display black Go4Gold	675.160-093	2
16	Kamera Noteccam Pro	Camera Noteccam Pro	831.800-011	1
17	Halbletech Kamera Go4Gold	backset camera Go4Gold	022.060-202	1
18	Halbletech Kamera Go4Gold	pleiglass camera Go4Gold	672.164-414	1
19	Platiglas Logo Go4Gold	pleiglass logo Go4Gold	672.165-852	1
20	LCD TFT 19inch LED VGA_DVI	LCD TFT 19" LED VGA/DWDP	831.710-135	1
21	LCD TFT 19inch LED VGA_DVI	LCD TFT 19" LED VGA/DWDP	831.710-135	1



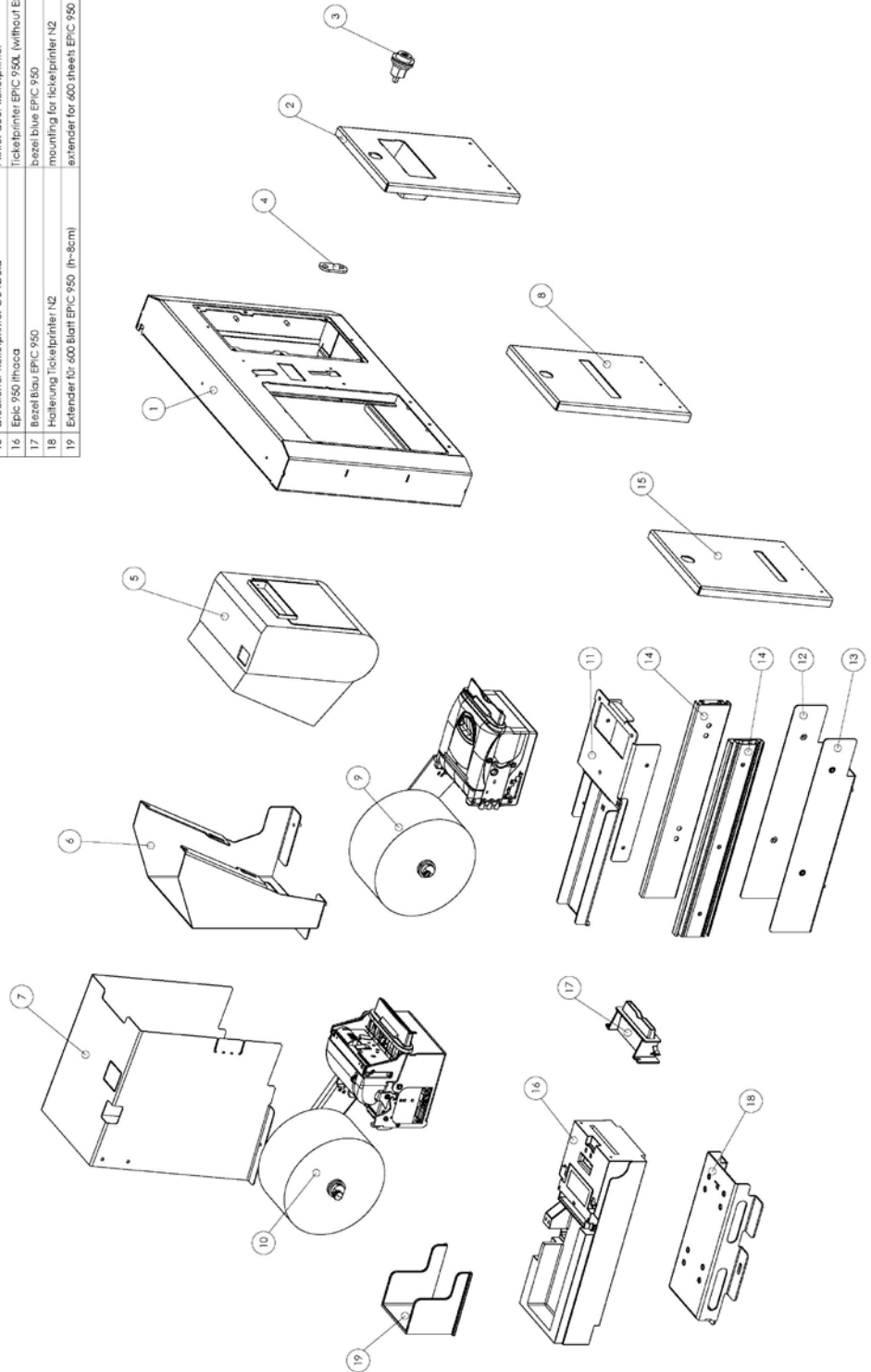
Variante mit 2 Displays
Version with 2 displays



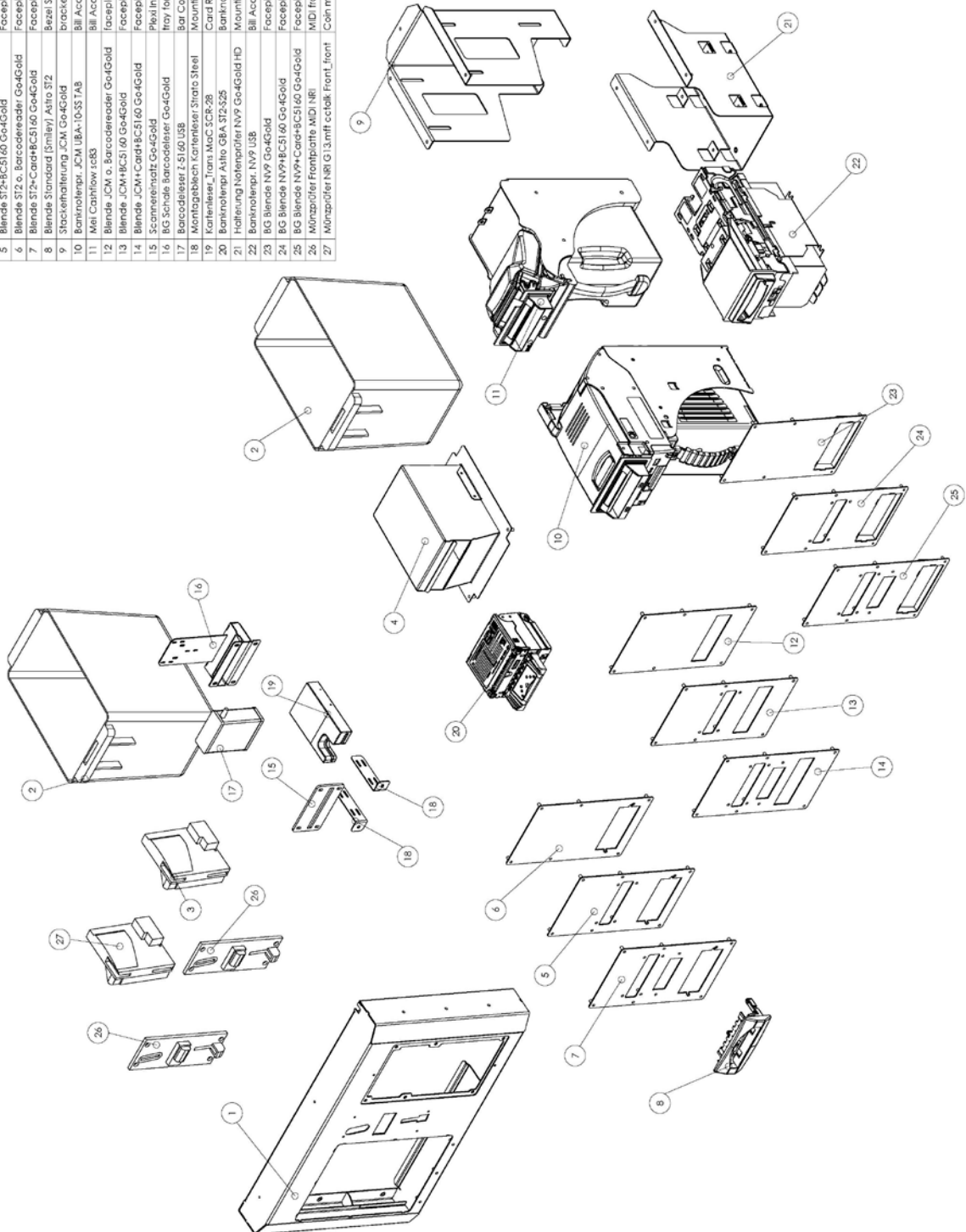
Pos	Benennung	Name	ArtNr	Menge
1	Korpus Go4Gold vormontiert	cabinet Go4Gold pre- assembled	022.089-330	1
2	Schloss 25mm 7pin Octagon-28D251CPD	Lock 25mm 7pin Octagon-28D251CPD	675.191-944	3
3	Sperrriegel Go4Gold	locking bolt Go4Gold	022.082-198	3
4	Kassa Kunststoff Virtual C. 263x144x206	Plastic Cashbox Standard C/SR Virtual C	361.110-126	2
5	PC TAB Micro-ATX 2 Wefterminal	PC TAB Micro-ATX 2 betting terminal	831.900-042	1
6	Lüfter 80x80mm mit JST Stecker	Fan 80x80mm with JST Connector	831.900-033	1
7	Schlüssel Taster S202A-L 37mm	Lock Switch S202A-L 37mm	671.191-540	2
8	Netzfilterhalterblech Go4Gold HD	Mounting Plate Line Filter Go4Gold + HD	022.130-651	1
9	Kombinanzfilter 4A 2x3.15AT	Linefilter 4A 2x3.15AT	671.115-509	2
10	Rückwandschalter FS Push/Pull 3p	Rear Switch Flat Plug Push/Pull 3p	671.188-150	3
11	Lautsprecher XF-2003-198, 8 Ohm	Loudspeaker XF-203-494, 4 Ohm	412.120-264	2
12	Abdeckung Netzfilter Go4Gold HD	Cover Line Filter Go4Gold HD + HD + Nev.	022.130-652	1
13	BG Einsatz Fach oben Go4Gold	Inlet Shelf Top Go4Gold	022.130-690	1
14	Einsatz Tür mitte Go4Gold	Insert Cash Door Go4Gold	022.130-505	1
15	PC TAB mitX Trinity ADV	PC TAB mitX Trinity ADV	831.500-037	1
16	Blindabdeckung Netzfilter Go4Gold HD	Blind Cover Line Filter Go4Gold + HD	022.130-650	1



Post	Benennung	Name	ArtNr	Menge
1	BG Top oben Go4Gold	door top Go4Gold	022.130-866	1
2	BG Druckerf. Go4Gold	BG printer door Go4Gold	022.062.196	1
3	Schloss 25mm 7pin Octagon-280251 C/PD	Lock, 25mm 7pin Octagon-280251 C/PD	675.191-944	1
4	Sperrriegel Mittelfront VC 2	Obstruction Middle Front VC2	675.191-189	1
5	Drucker_Epson TMT 88 IV	Printer Epson TMT 88 IV	831.800-129	1
6	Haltenug Epson Drucker Go4Gold	Mount Epson printer	022.130-492	1
7	Abdeckung Drucker Go4Gold	Printer cover Go4Gold	022.062.154	1
8	Druckerf. VXP800 Go4Gold	Printer door VXP800 Go4Gold	022.130-502	1
9	Drucker Custom VXP800II	Printer Custom VXP800II	831.800-039	1
10	Drucker Custom VXP800I	Printer Custom VXP800I	831.800-035	1
11	Haltenug Ticketprinter VXP800I G4G	mounting for ticketprinter VXP800I G4G	022.130-925	1
12	Montagewinkel Ladenzug rechts VXP800I G4G	mounting drawer pulloout right VXP800I G4G	022.130-126	1
13	Montagewinkel Ladenzug links VXP800I G4G	mounting drawer pulloout left VXP800I G4G	022.130-125	1
14	Vollauszug 300mm Schack, Metall 036.17110	base unit 300mm Schack, Metall 036.17110	022.130-915	2
15	Druckerf. Ticketprinter Go4Gold	Printer door ticketprinter	210.071-586	1
16	Epic 950 Ithaca	Ticketprinter EPIC 95L (without Extender)	831.800-029	1
17	Bezel Blau EPIC 950	bezel blue EPIC 950	022.062.171	1
18	Haltenug Ticketprinter N2	mounting for ticketprinter N2	022.130-418	1
19	Extender für 600 Blatt EPIC 950 (H=8cm)	extender for 600 sheets EPIC 950	373.210-116	1



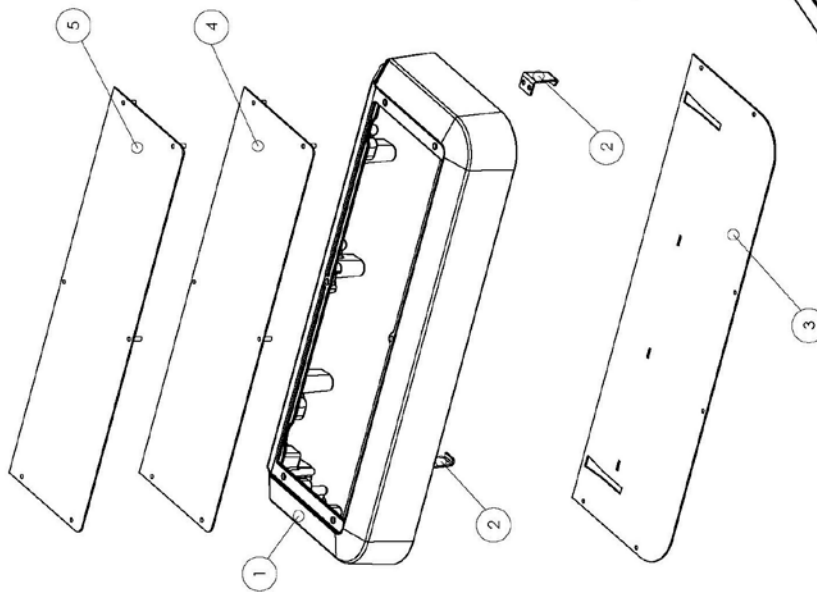
Pos	Benennung	Name	ArtNr	Menge
1	BG Top oben Go4Gold	door top Go4Gold	022.130.166	1
2	Kassa Kunststoff Virtual C, 263x144x206	Plastic Cariboo Standard C/SR Virtual C	361.110.126	2
3	Münzprüfer RL8FC24(A)10000 front	Coin Acceptor RW9HD cctf GBH10000194	464.138-718	1
4	BG No termulichte ST2 Go4Gold	Banknote Slide ST2 Go4Gold	022.130-410	1
5	Blende ST2+BC5160 Go4Gold	Faceplate ST2+BC5160 Go4Gold	022.082-219	1
6	Blende ST2 o. Barcode reader Go4Gold	Faceplate ST2 no barcode reader Go4Gold	022.082-208	1
7	Blende Standard (Smiley) A310 ST2	Faceplate ST2+Card+BC5160 Go4Gold	022.082-218	1
8	Blende Standard (Smiley) A310 ST2	Bezel Standard (Smiley) A310 ST2	022.130-526	1
9	Stackhalterung JCM Go4Gold	bracket for stacker Go4Gold	022.082-203	1
10	Banknoteprüf. JCM UBA-10-S3 TAB	Bill Acceptor JCM UBA-10-S3 TAB	010.100-546	1
11	Mit Cariboo iSB	Bill Acceptor ME Cariboo SC3507	010.100-547	1
12	Blende JCM o. Barcode reader Go4Gold	Faceplate JCM/n. barcode reader Go4Gold	022.082-217	1
13	Blende JCM/BC5160 Go4Gold	Faceplate JCM/BC5160 Go4Gold	022.082-221	1
14	Blende JCM+Card+BC5160 Go4Gold	Faceplate JCM+Card+BC5160 Go4Gold	022.082-223	1
15	Scannereinheit Go4Gold	Plexi Inset Scanner Go4Gold	022.130-413	1
16	BG Schale Barcodeleser Go4Gold	Tray for barcode scanner Go4Gold	022.082-195	1
17	Barcodeleser Z-S160 USB	Bar Code Scanner Z-S160 USB	464.138-709	1
18	Montageblech Kartenleser Strato Steel	Mounting Bracket Card Reader Pro Steel	373.210-108	2
19	Kartenleser Trans MacC SCR-28	Card Reader Transmac SCR28/SM33U /sernt	010.100-554	1
20	Banknoteprüf. Alto ST2-S25	Banknotes Alto GBA ST2-S25	010.100-892	1
21	Halterung Notengprüfer NV9 Go4Gold HD	Mounting plate note reader NV9 Go4GoldHD	022.130-532	1
22	Banknoteprüf. NV9 USB	Bill Acceptor NV9 USB	010.100-534	1
23	BG Blende NV9 Go4Gold	Faceplate NV9 Go4Gold	022.082-224	1
24	BG Blende NV9/BC5160 Go4Gold	Faceplate NV9/BC5160 Go4Gold	022.082-225	1
25	BG Blende NV9+Card+BC5160 Go4Gold	Faceplate NV9+Card+BC5160 Go4Gold	022.082-226	1
26	Münzprüfer Frontplatte MID/NRI	MID front plate NRI	464.005-247	2
27	Münzprüfer NRI G13.mff cctalk front front	Coin mech. NRI G13.mff cctalk front/front	464.138-565	1



Pos	Benennung	Name	ArtNr	Menge
1	Bedienteil Go4Gold	frame control panel Go4Gold	022.131-000	1
2	Verriegelungswinkel Displayfront Go4Gold	locking angle displayfront Go4Gold	022.223-719	2
3	BG Rückwand Bedienteil Go4Gold	Backplate control panel Go4Gold	022.130-483	1
4	Tasterblende Bedienteil O.A. Go4Gold	button plate control panel n. c. Go4Gold	022.130-491	1
5	Tasterblende Bedienteil O.A. G4G grün	button plate control panel n.c. G4G green	022.130-491-GN	1
6	Tastaturblende klein Bedienteil Go4Gold	keyboard plate small Go4Gold	022.130-608	1
7	Halblech Keyboard Go4Gold	bracket keyboard Go4Gold	022.130-609	1
8	Tastatur EKH2/0/DE/PS2	keyboard EKH2/0/DE/PS2	671.200-326	1
9	Tasterblende Bedienteil NFC Go4Gold	button plate control panel NFC Go4Gold	022.130-649	1
10	Halterung Kartenleser ACR122U-A9	Holder Cardreader ACR122U-A9	022.130-676	1
11	Kartenleser ACS ACR122U-A9, NFC kontakt	Card Reader ACS ACR122U-A9, NFC contact	010.100-564	1
12	Abdeckung Plexi Kartenleser ACR 122	Cover plexi for Cardreader ACR 122	952.009-011	1

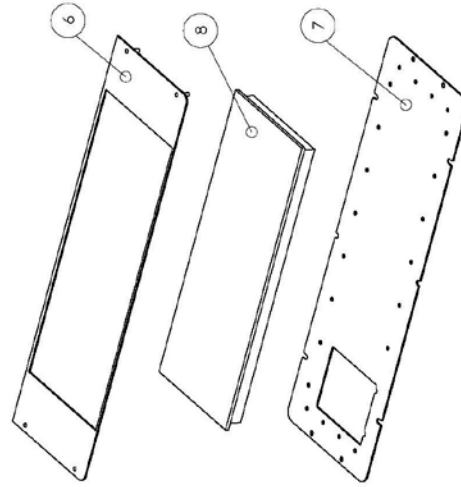
Option: Farboption

Option: color option



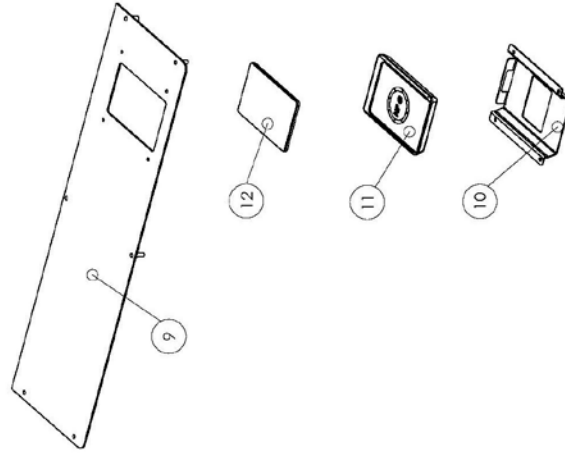
Option: mit Keyboard

Option: with keyboard



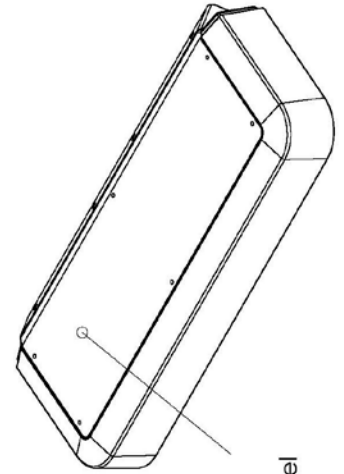
Option: mit NFC Kartenleser

Option: with NFC Reader



Optionen Bedienteil

Options Control Panel





EC Declaration of Conformity



Declaration of CE conformity

Document-no.: QZ/1000/109/01/271008

Producer: TAB AUSTRIA
Industrie- und Unterhaltungselektronik GmbH & Co KG

Address: Haiderstraße 40
A-4052 Ansfelden
Tel.no.: 07229/78040, Fax-no.: 07229/78660

Description of good: Betting terminal
Type: Go4Gold

This mentioned product corresponds to the following European Regulations:

Criterion: 73/23/EWG
Criterion of the council for the adaptation of the legal regulations of the member states, concerning electrical working founds for using within limited tension bounds, changed by RL 93/68/EWG.

Criterion: 89/336/EWG
Criterion of the council for the adaptation of the legal regulations of the member states, concerning the electromagnetic compatibility changed by RL 91/263/EWG, 92/31/EWG, 93/68/EWG and 93/97/EWG.

The conformity of the mentioned product with the regulations of the criterions is shown through the observance of the relevant sections of the following norms:

Matched European norms:	Document	Issuing date
	EN 55022	1998
	EN 55024	1998
	EN 60950	2000
	EN 61000-3-2	2000
	EN 61000-3-3	2000

Issued by: GF

Managing Director: Ing.Siegfried Dattl jun.

Place, date: Ansfelden, October 27th 2008

Legally binding signature:



The declaration certifies the conformity with the mentioned criterions, but it doesn't include the assurance of characteristics. The safety regulations of the delivered goods have to be read through carefully.

TAB-Austria Industrie- und Unterhaltungselektronik GmbH & CoKG

UID-Nr.: ATU57977639, Landes- und Handelsgericht Linz FN 248332 w
Kto.-Nr. 2.658.755, Raiffeisenlandesbank Oberösterreich, BLZ 34000
IBAN: AT75 3400 0000 0265 8755, BIC: RZOOAT2L

Haider Straße 40, A-4052 Ansfelden
Tel. +43 (0)7229/78 040-0, Fax +43 (0)7229/78 660
sales@tab.at, www.tab.at



General Terms and Conditions of Trade

of TAB-AUSTRIA Industrie- und Unterhaltungselektronik GmbH & Co KG, Haider Straße 40, A-4052 Ansfelden.

1. Application of the terms of business

The following contractual terms apply without limitation to entrepreneurs within the meaning of Sec. 343 of the Business Code.

Our deliveries, services and quotations are provided exclusively on the basis of these Standard Terms of Business of TAB GmbH – hereinafter TAB – even if not specifically referred to in oral or telephone negotiations.

They shall thus also apply to all future business relationships even if not expressly agreed again. These terms shall be deemed to be recognized at the latest upon acceptance of the goods or service.

Departures from these terms, in particular through the sending of conflicting terms of purchase shall only apply if we have expressly recognized such in writing.

The failure to exercise individual rights pursuant to these terms shall not constitute a waiver of other rights.

2. Quotations and conclusion of contract

- a) Our quotations shall be revocable and without obligation.
- b) The client shall be bound to its order for a period of three weeks. Orders shall only become legally effective once the delivery has been effected by us or once we have issued our written confirmation, which shall be deemed to have been issued if we do not refuse the order within 3 weeks of receipt thereof at Ansfelden.
- c) Collateral agreements and additions shall only be valid if confirmed by us in writing. The waiver of this requirement of the written form shall likewise only be permitted with our written confirmation.
- d) Descriptions of the subject matter of delivery and technical details shall be without obligation and shall not be deemed to be a guarantee of specific qualities.

3. Prices

All prices shall be net prices exclusive of value-added tax, which shall be payable by the client at the statutory rate applicable at the time. These prices shall be ex-warehouse Ansfelden, exclusive of freight, packing, insurance and assembly.

→ Better games through innovation

TAB-Austria Industrie- und Unterhaltungselektronik GmbH & CoKG
Haider Strasse 40, A-4052 Ansfelden, UID-Nr.: ATU57977639
Tel. +43 (0)7229/78 040-0, Fax +43 (0)7229/78 660, e-mail: sales@tab.at, www.tab.at





4. Delivery periods

- 4.1. The agreement of delivery dates or periods shall require the written form. Unless the contrary is agreed, delivery dates and periods shall be without obligation.
- 4.2. Even if deadlines and periods have been agreed with binding effect, we shall not be liable for delays in delivery and performance due to force majeure and due to events that render our delivery substantially more difficult or impossible – including material procurement difficulties occurring subsequently, interruptions to business operations, strike, lock-out, personnel shortages, deficiencies in means of transport, official regulations etc. – including if such occur at our suppliers' or their suppliers'. Such shall entitle us to postpone delivery or performance by the duration of the impediment plus a reasonable start-up time, or to withdraw from the contract in whole or in part with respect to the part not yet performed.
- 4.3. If the impediment lasts longer than 3 months, the client shall be entitled to withdraw from the part of the contract not yet performed, after first setting a reasonable grace period. The client shall not be entitled to derive a claim for damages if the delivery period is prolonged, or if we are released from our obligations.
- 4.4. We shall be entitled to effect part-deliveries and part-performance at any time.

5. Place of performance, dispatch and transfer of risk

- 5.1. Place of performance shall be the registered office of TAB at Haider Strasse 40, 4052 Ansfelden. Packaging and dispatch shall be at the client's expense and risk. At the client's express request and expense, the shipment shall be insured against breakage, transport and fire damage.
- 5.2. The use and price risk shall transfer to the client upon handover for dispatch or notification of readiness for dispatch. Dispatch shall be at the client's risk.

6. Warranty and liability

- 6.1. The goods supplied by us shall be carefully checked upon arrival and any defects shall be noted in detail on the delivery note or consignment note; failure to do so shall result in the loss of all claims. If an immediate check is not possible upon receipt of the goods, this fact must be noted on the delivery note or consignment note, on pain of the loss of all claims, and a detailed written protest concerning any defects found in a subsequent inspection shall be lodged within a period of three days from delivery of the goods, such period being deemed to be recognized by both parties as being reasonable.
The client's rights shall only be preserved if any protest concerning a defect to be noted on the delivery note or consignment note is received by us within 8 days following receipt of the goods.
- 6.2. Protests concerning concealed defects must be lodged immediately upon discovery, and at the latest three months after receipt of the goods.



- 6.3. If a third party has repaired or attempted to repair the goods supplied, no protests shall be accepted. The same shall apply if the client improperly interferes with the goods supplied.

The client shall also lose all claims against us if he is unable to prove that we have caused the defect deliberately or with gross negligence. The same applies to ordinary negligence on the part of the client, the burden of proof of this degree of negligence then lying with us.

- 6.4. The client shall file claims against us before the courts within a period of six months from date of transfer of risk pursuant to Section V; failure to do so shall lead to the exclusion of all such claims. If a warranty claim arises within the relationship between the client and its clients, recourse to us pursuant to Sec. 933 b of the General Civil Code shall be excluded.
- 6.5. If the goods supplied by us are faulty or if defects become apparent within the period agreed in Sec. 6.4, TAB shall at its own discretion effect repairs or provide a replacement within a reasonable period of time. In any event, TAB shall be entitled to provide a replacement instead of effecting repairs. Unless agreed separately with us in writing, there shall be no other or any more extensive claims on whatever legal basis, in particular to the reduction of the charge or compensation for repair works carried out or contracted by the client. Compensation for any consequential losses resulting from defects shall be limited to direct losses and to one half of the invoiced value of the order in question, and shall only be payable to the client if we or our vicarious agents are guilty of blatant gross negligence or intent.
- 6.6. The defective goods shall be handed over or returned to us. Repairs cannot be effected at the place of installation. The client shall bear the transport costs and risk.
- 6.7. Claims for damages shall only arise in the event of intent or blatant gross negligence and shall be limited in amount to the invoiced value. Claims for compensation shall in any event expire 6 months after the goods are handed over for dispatch or notice of readiness for dispatch is sent. To the extent permitted by law, compensation for financial losses, lost of interest and damages resulting from third party claims shall in any event be excluded. Similarly, to the extent permitted by law, any contestation by the client on the grounds of error, including as to the goods' freedom from defects, shall be excluded.
- 6.8. Use equipment shall be sold without the customer being entitled to any warranty or liability claims.
- 6.9. The name "TAB" is a registered company name. TAB has industrial property rights with respect to the products supplied by TAB. The client shall only be entitled to use and sell these products within the framework of an ordinary business operation.
- 6.10. Any recourse claims within the meaning of Paragraph 12 of the Product Liability Act.



- 6.11. No liability whatsoever shall be assumed for claims resulting from or in connection with soliciting for or the conduct of games of chance, in particular addiction to gambling. The client shall fully indemnify and hold TAB harmless for such claims made by the client's clients against TAB or affiliated enterprises.
- 6.12. All warranty and liability claims based on this contractual relationship are regulated exhaustively in this Section 6. The client shall not be entitled to any more extensive claims whatsoever.

7. Reservation of title

- 7.1. We retain title to the goods supplied until the purchase price has been paid in full.
- 7.2. The pledging or transfer for purposes of collateral of the goods subject to reservation of title shall not be permitted. If third parties take measures against the goods subject to reservation of title, in particular in the form of attachment, the purchaser shall notify us in writing immediately and shall refer the third party to our reservation of title. The purchaser shall be obliged to bear all costs applied to prevent such measures and to obtain the return of the goods supplied, if such costs are not obtainable from the third party.
- 7.3. The client assigns to us as collateral its receivables resulting from the resale of the goods supplied by us until satisfaction in full of all its obligations to us. Upon request by us, the client shall notify us of the debtors of the assigned receivables, notify the debtors of the assignment and keep the proceeds from the sale of the goods subject to reservation of title separately and in our name. If by virtue of such assignments amount beyond doubt to more than 120% of total amount of our receivables thus secured, we undertake to release at our choice the excess of the outstanding amount at the request of the client.
- 7.4. The client shall not acquire title to the new product resulting from processing of the goods subject to reservation of title; any such processing shall be effected by the client for TAB.
The client undertakes to store such products free of charge. If the goods subject to reservation of title are processed or mixed with goods owned by a third party, we shall acquire co-ownership of the new product in the ratio that applies between the invoiced value of the goods supplied by us and the invoiced value of the other goods.
- 7.5. If the client acts in breach of contract, in particular in the event of payment default, TAB shall be entitled to demand the return of the goods subject to reservation of title at the client's expense. The demand for the return and the levy of execution on the goods by TAB shall not constitute a withdrawal from the contract.
- 7.6. As soon as the client suspends payments, namely immediately after announcement of the suspension of payments, the client shall send TAB a list of the goods subject to reservation of title still held, including such that have been processed, together with a list of the receivables against third-party debtors with copies of invoices. Amounts received from assigned receivables shall be kept separately until transferred.



8. Prohibition on assignment

All the client's claims based on the present contract shall be non-transferrable.

9. Payment, default, off-set

- 9.1. Unless agreed otherwise, all payments shall be made immediately upon receipt, without deduction.
- 9.2. Cheques and bills shall only be accepted following prior written agreement and always only be on account for payment. Discount, banking and bill charges shall be borne by the client.
- 9.3. In the event of payment default, it is agreed that the client shall reimburse all reminder and collection costs plus interest at a rate of 10% above the applicable base rate of interest. Payments received shall first be applied to the court costs and to any costs incurred for an – accordingly necessary – extrajudicial collection of the debt, then to interest and finally to the principal.
- 9.4. Failure to comply with the terms of payment or circumstances that are capable of reducing the purchaser's creditworthiness shall cause all the vendor's receivables to become due for payment immediately. Such shall also entitle the vendor to effect outstanding deliveries only in return for payment in advance or to withdraw from the contract and/or to claim damages for non-performance.
- 9.5. The client shall not be entitled to retain the payment or a part thereof on the basis of counterclaims, or to offset counterclaims, including such based on complaints.

10. Trade-in devices/acceptance in lieu of payment

If TAB accepts used devices in partial or full payment of the purchase price, the purchaser shall be obliged to notify us of any and every defect in the device delivered in payment. The purchaser shall guarantee that the device only has the defects expressly notified.

If within a period of six months it becomes apparent that the device has defects that were not notified to us, we shall be entitled to return such device and the charge the client for the value taken into account.



11. General

- 11.1. The law of the Republic of Austria shall apply to all legal relations between the parties, and the application of international agreements, in particular the UN law on the sale of goods dated 11.4.1980 and the UNCITRAL convention shall be excluded.
- 11.2. The sole legal venue is agreed to be the court competent for such cases at Linz, Austria.
- 11.3. The contractual products are exclusively electrical and electronic goods for commercial purposes within the meaning of Sec. 3 No. 9 of the Old Electrical Appliances Regulation (*Elektroaltgeräteverordnung*), Federal Gazette II 121/2005.

As contract partner, the client shall assume the obligation to accept the return of old appliances imposed upon the manufacturer pursuant to Sec. 10 of the Old Electrical Appliances Regulation, Federal Gazette II 121/2005, and shall grant its customers a contractual right to return such goods to it and undertakes to accept the return of the contractual goods.

If the customers return the contractual goods directly to TAB, the client shall be responsible for collecting the contractual goods from TAB and for the processing of such goods in accordance with the statutory requirements. If the client fails to comply with its obligation to take back such goods, TAB shall be compensated for the expenditure and losses incurred through the return and processing of the contractual goods.

- 11.4. As contract partner, the client shall participate in a collecting and recycling system within the meaning of Sec. 11 of the Packaging Regulation (*Verpackungsverordnung*), Federal Gazette 648/1996 that shall ensure the return and processing of the packaging of the contractual goods. Written evidence shall be submitted to TAB concerning the legally valid participation in a collecting and recycling system. Such evidence shall be either in the form of the presentation of the contractual agreements or on the order documents.

The client shall compensate TAB for all losses and expenditure incurred by TAB as a result of the client failing to comply with the obligations it has assumed resulting from the Packaging Regulation such as in particular the conditions for participation in a collecting and recycling system.

- 11.5. The client shall assert any claims from or in connection with its legal relationship with TAB in writing within six months on pain of forfeiture (cf. Secs. 6.4 and 6.7).
- 11.6. If one or more of the above provisions shall be or become ineffective or unenforceable, this shall not affect the validity of the remaining provisions. The ineffective or unenforceable provision shall be replaced by an effective or enforceable provision that as far as possible implements the commercial purpose pursued in the ineffective or unenforceable provision. The same shall apply to any unintended gaps in the contract.



Version dated 12 November 2014

Warranty Terms

by TAB-AUSTRIA Industrie und Unterhaltungselektronik GmbH & Co KG (TAB hereinafter)

We are granting a warranty for this machine under the following conditions:

1. Insofar as the “General Terms of Business of TAB-AUSTRIA Industrie- und Unterhaltungselektronik GmbH & Co KG” are not modified by the following, which sets out the conditions and scope of our warranty performance, these terms will continue to apply without change.
2. The warranty period for our products from delivery is:
 - 24 months for (when purchased and operated in Austria)
 - Max Fire HD
 - Golden Island
 - Fun4Four
 - 12 months for
 - all other products, particularly betting terminals
 - all products (including the above) purchased in Austria and operated outside Austria
 - Six months for
 - all spare partshowever, if a warranty period of more than six months still obtains for the machines, this period will apply in its entirety to the spare part.
3. The warranty will only be granted for new products by TAB, not for their spare parts, not for products of different brands and manufacturers and corresponding spare parts. No warranty is granted for used products either.
4. In accordance with the following provisions, we shall repair defects to the machine that have been demonstrably caused by a material and/or manufacturing fault which already existed at the time the product was handed over, and which was reported within 14 days of it becoming apparent to our sales partner or the first end user while still within the warranty period. No warranty is assumed for used machines.

→ Better games through innovation

TAB-Austria Industrie- und Unterhaltungselektronik GmbH & CoKG
Halder Strasse 40, A-4052 Ansfelden, UID-Nr.: ATU57977639
Tel. +43 (0)7229/78 040-0, Fax +43 (0)7229/78 660, e-mail: sales@tab.at, www.tab.at





5. The warranty exclusively covers such components that are essential to operating the product. It does not include easily damaged parts or wearing parts, such as, for example, glass, plastic or light bulbs. Minor deviations from the desired composition insignificant to the value and usability of the machine will not result in any warranty obligations. Damage caused by physical, chemical, electrical or electrochemical or other effects not related to the customary dedicated use will not result in any warranty obligations; neither does damage caused by water or abnormal environmental conditions or inappropriate operating conditions. Also, no warranty can be assumed for machine defects caused by transport damage for which we are not responsible, incorrect installation and assembly, incorrect use, non-observance of operating or assembly instructions or lack of care.
6. The warranty claim becomes void if repairs or interventions have been carried out by the customer himself/herself or by persons who were not accordingly authorized or who were not authorized by us or in the event of our machines being fitted with spare, supplementary or accessory parts that are not original parts, or if parts have been removed.
7. The warranty performance will be made in such a way that defective components will at our discretion be repaired or replaced with faultless components free of charge unless improvement or exchange are impossible or would result in for us unreasonable cost. In such cases, a reduction in price or, in the event of not only a minor defect, cancellation of sale may be claimed.
8. Machines for which a warranty performance is being claimed on the basis of this warranty must be handed over or sent to us. Repairs at the installation site are not possible. The customer will bear transport costs and the transport risk.
9. Exchanged parts will become our property.
10. Warranty performances will neither result in an extension of the warranty period nor will they initiate a new warranty period.
11. Further or other claims (in particular claims for damages suffered beyond the machine) are excluded insofar as liability is not mandatory by law.
12. These warranty terms apply to machines operated outside of Austria only insofar as they possess the technical requirements (e.g. voltage, frequency, etc.) for the corresponding country, have been officially approved for use there and are suited to the individual climate and environmental conditions.
13. The TFT LCD display consists of more than 1,000,000 Thin-Film Transistors (TFT). A small amount of missing, black, or luminous points is characteristic for TFT LCD technology. The warranty performance will be granted if more than 15 missing, black, or luminous points are present.

→ Better games through innovation

TAB-Austria Industrie- und Unterhaltungselektronik GmbH & CoKG
Haider Strasse 40, A-4052 Ansfelden, UID-Nr.: ATU57977639
Tel. +43 (0)7229/78 040-0, Fax +43 (0)7229/78 660, e-mail: sales@tab.at, www.tab.at





End user license agreement for MICROSOFT software

IMPORTANT - READ CAREFULLY: This End-User License Agreement ("EULA") is a legal agreement between you (either an individual or a single entity) and the manufacturer ("Manufacturer") or the special purpose computing device ("SYSTEM") you acquired which includes certain Microsoft software product(s) installed on the SYSTEM ("SOFTWARE PRODUCT" or "SOFTWARE"). The SOFTWARE includes computer software, the associated media, any printed materials, and any "online" or electronic documentation. By installing, copying or otherwise using the SOFTWARE, you agree to be bound by the terms of this EULA. If you do not agree to the terms of this EULA, Manufacturer and Microsoft Corporation ("Microsoft") are unwilling to license the SOFTWARE to you. In such event, you may not use or copy the SOFTWARE, and you should promptly contact Manufacturer for instructions on return of the unused product(s) for a refund.

SOFTWARE LICENSE

The SOFTWARE is protected by copyright laws and international copyright treaties, as well as other intellectual property laws and treaties. The SOFTWARE is licensed, not sold.

1. GRANT OF LICENSE: This EULA grants you the following rights:

- **Software:** You may use the SOFTWARE as installed on the System.
- **Application Sharing:** The SOFTWARE may contain technology that enables applications to be shared between two or more SYSTEMS, even if an application is installed on only one of the SYSTEMS. You should consult your application license agreement or contact the application licensor to determine whether sharing the application is permitted by its licensor.
- **Storage/Network Use:** If the SOFTWARE PRODUCT is installed on the SYSTEM over an internal network from a server, you must acquire and dedicate a license for the SOFTWARE PRODUCT for each SYSTEM on which the SOFTWARE PRODUCT is used or to which it is distributed. A license for the SOFTWARE PRODUCT may not be shared or used concurrently on different SYSTEMS.
- **Back-up Copy:** If MANUFACTURER has not included a copy of the SOFTWARE on separate media with the SYSTEM, you may make a single copy of the SOFTWARE for use solely for archival purposes with the SYSTEM.

2. DESCRIPTION OF OTHER RIGHTS AND LIMITATIONS

- **Limitation on Reverse Engineering, Decompilation and Disassembly:** You may not reverse engineer, decompile, or disassemble the SOFTWARE, except and only to the extent that such activity is expressly permitted by applicable law notwithstanding this limitation.

→ Better games through innovation

TAB-Austria Industrie- und Unterhaltungselektronik GmbH & CoKG
Haider Strasse 40, A-4052 Ansfelden, UID-Nr.: ATU57977639
Tel. +43 (0)7229/78 040-0, Fax +43 (0)7229/78 660, e-mail: sales@tab.at, www.tab.at





- **Single SYSTEM:** The SOFTWARE is licensed with the SYSTEM as a single integrated product. The SOFTWARE may only be used with the SYSTEM.
- **Rental:** You may not rent or lease the SOFTWARE.
- **Software Transfer:** You may permanently transfer all of your rights under this EULA only as part of a sale or transfer of the SYSTEM, provided you retain no copies, you transfer all of the SOFTWARE (including all component parts, the media, any upgrades or backup copies, and this EULA, and if applicable, the Certificate(s) of Authenticity), and the recipient agrees to the terms of this EULA. If the SOFTWARE is an upgrade, any transfer must include all prior versions of the SOFTWARE.
- **Termination:** Without prejudice to any other rights, Manufacturer or Microsoft may terminate this EULA if you fail to comply with the terms and conditions of this EULA. In such event, you must destroy all copies of the SOFTWARE and all of its component parts.
- **Single EULA:** The package for the SOFTWARE may contain multiple versions of this EULA, such as multiple translations and/or multiple media versions (e.g., in the user documentation and in the software). In this case, you are only licensed to use one (1) copy of the SOFTWARE PRODUCT.

3. UPGRADES AND RECOVERY MEDIA

- If the SOFTWARE is provided by Manufacturer on media separate from the SYSTEM and is labeled "For Upgrade Purposes Only" (Upgrade SOFTWARE), you may install one copy of the Upgrade SOFTWARE onto the SYSTEM as a replacement copy for the SOFTWARE originally installed on the SYSTEM and use it in accordance with Section 1 of this EULA. You may also install additional copies of the Upgrade SOFTWARE as replacement copies onto additional SYSTEMS which are the same brand and model as the SYSTEM and contain a duly licensed copy of the same version and language release of the SOFTWARE ("ADDITIONAL SYSTEMS"), provided that (1) Manufacturer has supplied a corresponding serialized sticker for each additional copy of the Upgrade SOFTWARE, and (2) you affix a serialized sticker per Manufacturer's instructions for each unit of Upgrade SOFTWARE you install.
- If the SOFTWARE is provided by Manufacturer on separate media and labeled as "Recovery Media", you may not make a copy of the SOFTWARE as described in Section 1 for archival purposes. Instead, you may use the Recovery Media solely to restore or reinstall the same version and language release of the SOFTWARE as originally installed on the SYSTEM and thereafter use the SOFTWARE as restored or reinstalled in accordance with Section 1 of this EULA. A single unit of Recovery Media may be used by you to restore or reinstall the SOFTWARE on ADDITIONAL SYSTEMS.

4. COPYRIGHT

- All title and copyrights in and to the SOFTWARE (including but not limited to any images, photographs, animations, video, audio, music, text and "applets," incorporated into the SOFTWARE), the accompanying printed materials, and any copies of the SOFTWARE, are owned by Microsoft or its suppliers. You may not copy the printed

→ Better games through innovation

TAB-Austria Industrie- und Unterhaltungselektronik GmbH & CoKG
Haider Strasse 40, A-4052 Ansfelden, UID-Nr.: ATU57977639
Tel. +43 (0)7229/78 040-0, Fax +43 (0)7229/78 660, e-mail: sales@tab.at, www.tab.at





materials accompanying the SOFTWARE. All rights not specifically granted under this EULA are reserved by Microsoft.

5. PRODUCT SUPPORT

- Product support for the SOFTWARE is not provided by Microsoft or its subsidiaries. For product support, please refer to Manufacturer's support number provided in the documentation for the SYSTEM. Should you have any questions concerning this EULA, or if you desire to contact Manufacturer for any other reason, please refer to the address provided in the documentation for the SYSTEM.

6. LIMITED WARRANTY

- **Limited Warranty:** Manufacturer warrants that the SOFTWARE will perform substantially in accordance with the accompanying written materials for a period of ninety (90) days from the date of receipt. Any implied warranties on the SOFTWARE are limited to ninety (90) days. Some states/jurisdictions do not allow limitations on duration of an implied warranty, so the above limitation may not apply to you.
- **Customer Remedies:** Manufacturer's and its suppliers' entire liability and your exclusive remedy shall be, at Manufacturer's option, either (a) return of the price paid, or (b) repair or replacement of the SOFTWARE that does not meet the above Limited Warranty and which is returned to Manufacturer with a copy of your receipt. This Limited Warranty is void if failure of the SOFTWARE has resulted from accident, abuse, or misapplication. Any replacement SOFTWARE will be warranted for the remainder of the original warranty period or thirty (30) days, whichever is longer.
- **No Other Warranties.** Except as expressly provided in the limited warranty section above, the SOFTWARE is provided to the end user "as is" without of any kind, either expressed or implied, including, but not limited to, warranties of non-infringement, merchantability, and/or fitness for a particular purpose. The entire risk of the quality and performance of the SOFTWARE is with you.
- **No Liability for Consequential Damages.** Manufacturer's suppliers shall not be held to any liability for any damages suffered or incurred by the end user (including, but not limited to, general, special, consequential or incidental damages including damages for loss of business profits interruption, loss of business information and the like), arising from or in connection with the delivery, use or performance of the SOFTWARE.

7. Note on JAVA Support.

The SOFTWARE product may contain support for programs written in JAVA. JAVA TECHNOLOGY is not fault tolerant and is not designed, manufactured, or intended for use or resale as ON-LINE CONTROL EQUIPMENT in hazardous environments requiring fail-safe performance, such as in the operation of nuclear facilities, aircraft navigation or communication systems, air traffic control, direct life support machines, or weapons systems, in which the failure of JAVA TECHNOLOGY could lead directly to death, personal injury, or severe physical or environmental damage.

→ Better games through innovation

TAB-Austria Industrie- und Unterhaltungselektronik GmbH & CoKG
Haider Strasse 40, A-4052 Ansfelden, UID-Nr.: ATU57977639
Tel. +43 (0)7229/78 040-0, Fax +43 (0)7229/78 660, e-mail: sales@tab.at, www.tab.at





Attachment 1

B137682

Attachment A

COMPANY shall sublicense the Licensed Product to end users by means of a EULA. COMPANY shall provide clear notice to Embedded System customers before or at the time of purchase that the Embedded System contains software that is subject to a license and that customer must agree to that license before it may use the Embedded System. COMPANY shall distribute the EULA in a manner that forms a contract binding the end user to the EULA terms under applicable law. The EULA shall contain (A) the following terms, and (B) any additional EULA terms set forth by MS in the Additional Provisions for the Licensed Product. COMPANY may include additional terms in the EULA, so long as they are no less protective of MS than the terms set forth below. COMPANY shall substitute its name for the bracketed text [COMPANY] in the EULA text. If permitted by COMPANY's other software suppliers for a particular COMPANY Embedded System, COMPANY may substitute for the word "MS" the term "[COMPANY's] software suppliers".

- You have acquired a device ("DEVICE") that includes software licensed by [COMPANY] from Microsoft Licensing Inc. or its affiliates ("MS"). Those installed software products of MS origin, as well as associated media, printed materials, and "online" or electronic documentation ("SOFTWARE") are protected by international intellectual property laws and treaties. The SOFTWARE is licensed, not sold. All rights reserved.
 - ❖ **[APPROVED ALTERNATIVE TEXT IF COMPANY DOES NOT MENTION MS IN THE EULA TEXT:** "You have acquired a device ("DEVICE") which includes software licensed by [COMPANY] from one or more software licensors ("[COMPANY's] Software Suppliers"). Such software products, as well as associated media, printed materials, and "online" or electronic documentation ("SOFTWARE") are protected by international intellectual property laws and treaties. The SOFTWARE is licensed, not sold. All rights reserved."
- IF YOU DO NOT AGREE TO THIS END USER LICENSE AGREEMENT ("EULA"), DO NOT USE THE DEVICE OR COPY THE SOFTWARE. INSTEAD, PROMPTLY CONTACT [COMPANY] FOR INSTRUCTIONS ON RETURN OF THE UNUSED DEVICE(S) FOR A REFUND. ANY USE OF THE SOFTWARE, INCLUDING BUT NOT LIMITED TO USE ON THE DEVICE, WILL CONSTITUTE YOUR AGREEMENT TO THIS EULA (OR RATIFICATION OF ANY PREVIOUS CONSENT).
- **GRANT OF SOFTWARE LICENSE.** This EULA grants you the following license:
 - You may use the SOFTWARE only on the DEVICE.
 - **NOT FAULT TOLERANT. THE SOFTWARE IS NOT FAULT TOLERANT.** [COMPANY] HAS INDEPENDENTLY DETERMINED HOW TO USE THE SOFTWARE IN THE DEVICE, AND MS HAS RELIED UPON [COMPANY] TO CONDUCT SUFFICIENT TESTING TO DETERMINE THAT THE SOFTWARE IS SUITABLE FOR SUCH USE.
 - **NO WARRANTIES FOR THE SOFTWARE. THE SOFTWARE is provided "AS IS" and with all faults. THE ENTIRE RISK AS TO SATISFACTORY QUALITY, PERFORMANCE, ACCURACY, AND EFFORT (INCLUDING LACK OF NEGLIGENCE) IS WITH YOU. ALSO, THERE IS NO WARRANTY AGAINST INTERFERENCE WITH YOUR ENJOYMENT OF THE SOFTWARE OR AGAINST INFRINGEMENT. IF YOU HAVE RECEIVED ANY WARRANTIES REGARDING THE DEVICE OR THE SOFTWARE, THOSE WARRANTIES DO NOT ORIGINATE FROM, AND ARE NOT BINDING ON, MS.**
 - **Note on Java Support.** The SOFTWARE may contain support for programs written in Java. Java technology is not fault tolerant and is not designed, manufactured, or intended for use or resale as online control equipment in hazardous environments requiring fail-safe performance, such as in the operation of nuclear facilities, aircraft navigation or communication systems, air traffic control, direct life support machines, or weapons systems, in which the failure of Java technology could lead directly to death, personal injury, or severe physical or environmental damage. Sun Microsystems, Inc. has contractually obligated MS to make this disclaimer.
 - **No Liability for Certain Damages. EXCEPT AS PROHIBITED BY LAW, MS SHALL HAVE NO LIABILITY FOR ANY INDIRECT, SPECIAL, CONSEQUENTIAL OR INCIDENTAL DAMAGES ARISING FROM OR IN CONNECTION WITH THE USE OR PERFORMANCE OF THE SOFTWARE. THIS LIMITATION SHALL APPLY EVEN IF ANY REMEDY FAILS OF ITS ESSENTIAL PURPOSE. IN NO EVENT SHALL MS BE LIABLE FOR ANY AMOUNT IN EXCESS OF U.S. TWO HUNDRED FIFTY DOLLARS (U.S.\$250.00).**
 - **Limitations on Reverse Engineering, Decompilation, and Disassembly.** You may not reverse engineer, decompile, or disassemble the SOFTWARE, except and only to the extent that such activity is expressly permitted by applicable law notwithstanding this limitation.
 - **SOFTWARE TRANSFER ALLOWED BUT WITH RESTRICTIONS.** You may permanently transfer rights under this EULA only as part of a permanent sale or transfer of the Device, and only if the recipient agrees to this EULA. If the SOFTWARE is an upgrade, any transfer must also include all prior versions of the SOFTWARE.

→ Better games through innovation

TAB-Austria Industrie- und Unterhaltungselektronik GmbH & CoKG
Halder Strasse 40, A-4052 Ansfelden, UID-Nr.: ATU57977639
Tel. +43 (0)7229/78 040-0, Fax +43 (0)7229/78 660, e-mail: sales@tab.at, www.tab.at





In case of any failure which cannot be solved, get in contact with our hotline:

+43 / 72 29 / 78 0 40 - 250

Notes

→ Better games through innovation

TAB-Austria Industrie- und Unterhaltungselektronik GmbH & CoKG
Halder Strasse 40, A-4052 Ansfelden, UID-Nr.: ATU57977639
Tel. +43 (0)7229/78 040-0, Fax +43 (0)7229/78 660, e-mail: sales@tab.at, www.tab.at



 www.facebook.com/tabaustralia
 www.youtube.com/tabaustralia
 www.linkedin.com/company/tab-austria

TAB Austria Industrie- und Unterhaltungselektronik GmbH & Co KG
Haider Straße 40, 4052 Ansfelden
+43 (0) 7229 78040, sales @ tab.at
www.tab.at

➔ Better games through innovation

