



SILVERBALL Beetle PRO Max



Operating Instructions



T A B

A U S T R I A

Industrie- und Unterhaltungs-
elektronik GmbH & CoKG



Thank you for having chosen the

SilverBall Beetle PRO Max

from among the many game machines available on the market.

For greatest satisfaction in using the SilverBall Beetle PRO Max, please read the operating instructions carefully.

Please keep this manual where you can find it quickly when necessary.

Our hotline is at your service for any further questions.

Call +43 / 72 29 / 78 0 40 - (ext.) 250

SilverBall Beetle PRO Max instructions

(FG, HJP - 24. 01. 2002)

Although we have devoted great attention to composing the texts and illustrations, it is impossible to exclude all possibility or error.

The manufacturer assumes neither legal responsibility nor any form of liability for possible erroneous information and its consequences.

We welcome suggestions for improvement, and would appreciate having any errors brought to our attention.

All rights are reserved, including those of the photomechanical reproduction and storage in electronic or other media. The program, manual and all components are subject to international copyright provisions.

(C) 2002©1996-2000 TAB-Austria
A-4052 Ansfelden, Haiderstraße 40
Tel. +43 / 72 29 / 78 0 40 - 0*, Fax +43 / 72 29 / 78 6 60

All rights reserved.





Table of contents

TABLE OF CONTENTS	3
INSTALLATION INSTRUCTIONS	5
INITIAL OPERATION	6
BRIEF OPERATING INSTRUCTIONS	7
PROGRAM UPDATE:	7
UPDATING THE MACHINE:	7
KEY OPTIONS:	8
INTERLINK:	9
TOURNAMENT MODE:	9
CHAMPIONSNET:	9
EMAIL FUNCTION:	9
SILVERBALL INTERNET BROWSER:	10
JUKEBOX FUNCTION:	10
DESCRIPTION OF THE MACHINE	11
OPERATING ELEMENTS:	11
PC-SYSTEM COMPONENTS IN THE SILVERBALL BEETLE MAX:	11
OPTIONS:	12
DIMENSIONS AND WEIGHT:	12
EC-CONFIRMATION OF CONFORMITY	13
CORRECTING ERRORS	14
DETAIL DRAWINGS OF THE SILVERBALL BEETLE PRO MAX	15
LOWER HOUSING SECTION:	15
UPPER HOUSING SECTION:	15
UPPER HOUSING SECTION:	16
DISPLAY MODULE:	16
DISPLAY MODULE:	17
PC PARTS:	17
PC PARTS:	18
SILVERBALL BEETLE PRO MAX REPLACEMENT PARTS LIST:	19
CABLE DIAGRAM:	22
MUSIC RIGHTS	23
WARRENTY AND LIABILITY	25





END-USER LICENSE AGREEMENT FOR MICROSOFT SOFTWARE	27
ATTACHMENT 1	30
MEMOS:	31





Installation instructions

Safety provisions for the user:

The machine must only be operated in dry rooms and plugged into a protective contact socket installed in conformity with the relevant standards.

Before bringing into operation, the machine should be allowed to reach room temperature.

Verify the mains voltage before plugging in the machine!

The machine is designed for an altering voltage of 230V with 50 Hz and its power consumption equals 160 W.

Device may only be operated with a 3,15A fuse.

If parts of the housing are broken, wires protrude, the machine catches fire or the monitor is smashed, the machine must be shut off immediately and the power plug pulled out.

Defective or bare cables (especially the mains plug) and plug connections must be replaced.

IMPORTANT!

In such cases, make sure that the machine cannot be touched or plugged back in!

Next to other devices a negative effect on performance may occur.

Pay attention to the Microsoft-licence agreements in the software manual.





Initial operation

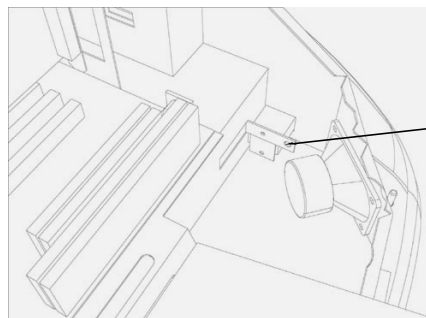
Each machine has already been tested at the plant and is delivered with initial settings already programmed.

We recommend waiting 15 minutes so that the monitor has reached the optimal operating temperature.

However, temperature differences, shocks during transport, etc. can change the monitor and the touch-screen settings, so that they are no longer correct. Therefore, when a machine is being brought into operation for the first time, we recommend **ALWAYS** observing the following procedure:

1) **Turn on the machine** (with the switch located on the back), the game starts automatically;

2) **Open the front cover and turn on the test switch**, the SilverBall test mode appears on the screen.



3) **Calibration of the touch-screen;** tap the “Calibration” point. Sit in a perfectly straight, well-centred position, at a 90° angle before the machine. Now follow exactly the instructions, which appear, on the monitor.

You can best check the precise calibration in the strategy game “Get 5”. Exit in accordance with point 5 and select “Get 5” from among the strategy games. Ensure that there is a credit for playing. If the result is not satisfactory, please repeat the process described under point 3.

4) **Setting the volume;** under “General”, press the “adjust sound” button. The desired volume for play mode and stand-by mode can be set using -/+ keys. The volume for play and stand-by mode can only be set separately from Version 3.50 onwards.

5) Via the “Back” button you come to the “test mode” main menu, turn off the test switch, and the play area is automatically restarted.

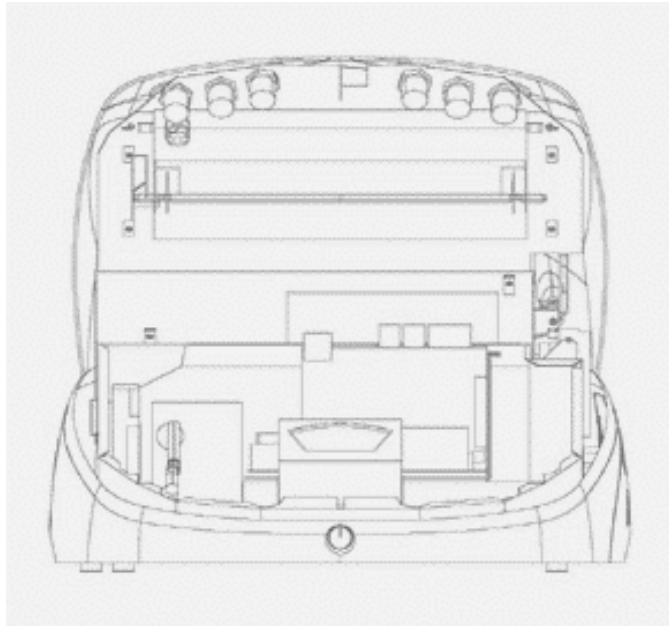




Brief operating instructions

Program Update:

Each machine is tested at the factory and is delivered in pre-set condition. When changing to a new software version, the machine requires updating.

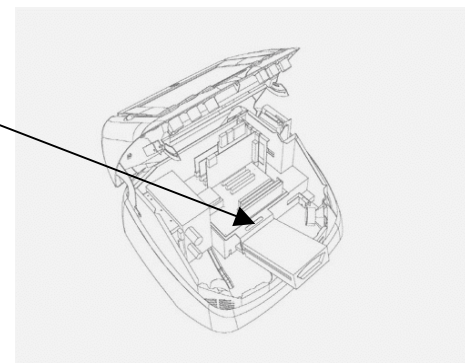


Updating the machine:

The SilverBall Beetle PRO Max Software is located on the permanently installed hard disk in the machine's PC. During an update the hard disk in the alternate frame is copied to the installed hard disk.

Operating steps:

- Switch off and open the machine
- Plug update hard disk to the mobile rack electronic in the machine.
- Switch on the machine
- Copying process is started automatically (duration app. 15-25 min.)
- Hard disk is checked and if necessary new set up. This can result in a reboot of the machine
- Copying of general data (GENERAL)
- Copying of language depending data (f.e. GERMAN, ENGLISH, FRENCH)





- Copying of configuration depending data and data for the advertisement function
- Waiting for message „Switch off Silverball Beetle, remove update disk, and switch on“
- Switch off the machine
- Remove update disk
- Switch on the machine
- Checking process is started automatically (duration app. 3 - 6 min, process similar to copying process)
- Waiting for message „Hard disk ok, switch Silverball Beetle off and on“
- Switch off the machine
- Switch on the machine
- Switch to testmode and calibrate touch-screen
- Activate all desired settings in the testmode
- Switch back to play area

After copying the data, the hard disk automatically checks the contents the next time the machine is turned on.

Later on, the checking procedure can also be started manually (see brief operating instructions, page 7 or functions description, page 11).

After the update, the touch-screen has to be linearized and recalibrated.

Key options:

By switching the testmode and simultaneous pressing a certain button you are able to enter the following programs:

- ⇒ **Player 1A:** Touch-screen calibration
- ⇒ **Player 1B:** Touch-screen test
- ⇒ **Player 1C:** Testpicture

The test switch is located on the front, to the right below the cover. The test functions are precisely described in the help menu.

Immediately after turning on the machine, during the boot-sequence, you can enter the following program:

- ⇒ **Player 2 all 3 buttons:** Harddisk check
- ⇒ **Player 1A+2A:** In the case of an update data is not saved and new reloaded

With switched testmode switch, during boot-sequence, you can enter the following program:

- ⇒ **Player 2A:** Touch-screen calibration



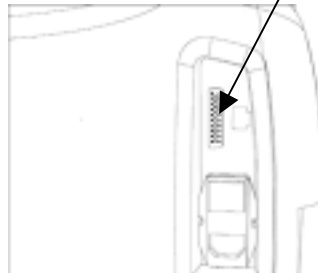


InterLink:

Interlink offers the possibility of linking two SilverBall machines via a cable. This allows most games to be played directly against partner playing on the second machine.

Installation of the InterLink-cable:

1. Switch off Silverball Beetle PRO Max.
2. On the back of the Beetle there is a 25 pin SUB-D connector, to which the InterLink cable must be attached and screwed.
3. Repeat steps 1 and 2 on the second SilverBall Beetle.
4. Switch on the machine.



The machines automatically recognise the InterLink-cable and activate the InterLink mode for the games available.

Tournament mode:

The tournament game in SilverBall PRO Max is a competition that permits the players to play over a certain time period for a prize (in form of merchandise prizes).

Two games are played per tournament, and it is possible to set the same game twice. The tournament starts as soon as you press the tournament start button in the main menu.

ChampionsNet:

ChampionsNet is the world-wide SilverBall network.

For each game, there is a national and an international high score list, whose entries are valid for 30 days.

Thus you can measure yourself nationally and internationally in your favourite game.

The world's 10 best players of all time are listed in the "Hall of Fame".

The high score list can also be consulted on the Internet under: www.championsnet.net.

You can find a precise description of the settings in the software manual.

Email function:

In all SilverBall machines equipped with ChampionsNet, there is an additional e-mail function available enabling you to send e-mail messages directly from the SilverBall.

You'll find a detailed description of functions and settings in the software manual.





SilverBall Internet Browser:

In all SilverBall machines equipped with ChampionsNet, you can additionally activate the SilverBall Internet Browser. This will allow you to surf the World Wide Web (WWW), chat and even send SMS's and web mails straight from the SilverBall.

You'll find a detailed description of functions and settings in the software manual.

Jukebox function:

Here you can either choose your personal music request from a vast range of music titles or browse through the list of „Top Hits“. There are also various sub-categories such as Oldies, Current or New from which you can choose. The cover of the artist or the CD is shown, too. There is a standby mode that allows background music to be played until a new music title is selected.





Description of the machine

SilverBall Beetle PRO Max is an ergonomically designed slot machine consisting of a metal body and plastic parts.

The machine contains an electric coin acceptor, a 15" LCD (with touch-screen) and a complete PC system.

Operating elements:

Most of the games in the SilverBall Beetle PRO Max are played via the touch-screen. For certain games, the push buttons are used, which is announced before the games starts (there are 2 x 3 push buttons on the unit).

The test switch is located on the front, to the left below the cover. The test functions are precisely described in the help menu.

By switching the testmode and simultaneous pressing a certain button you are able to enter the following programs:

- ⇒ **Player 1A:** Touch-screen calibration
- ⇒ **Player 1B:** Touch-screen test
- ⇒ **Player 1C:** Testpicture

Immediately after turning on the machine, during the boot-sequence, you can enter the following program:

- ⇒ **Player 2 all 3 buttons:** Harddisk check
- ⇒ **Player 1A+2A:** In the case of an update data is not saved and new reloaded

You will find the setting controls for adjusting brightness on the display on the left side underneath the cover.

PC-System components in the SilverBall Beetle Max:

PC system (433 MHz) with PCI-Bus and min. 128MB RAM.

LCD graphics display adapter 800 x 600 Pixel resolution, High Color.

16-Bit sound card with integrated AF amplifier.

Min. 12 GB harddisk

TAB-Interface card

Touch-Screen Controller





Options:

Pedestal with or without Bill acceptor:

Cash module with NV-4 or NV-5

VDAI data printer:

Using a VDAI printer is possible up from version 3.5 and higher. Setup for VDAI is located in the SilverBall testmode ⇒ Hardware settings.

Turntable:

You have the option of attaching a turntable to the Silverball Beetle. This increases playing comfort. Apart from this, the turntable enables trouble-free operation when put up in places that fall short of the normal width of bar.

Dimensions and weight:



Unpacked:

Height: 295mm
Width: 550mm
Depth: 445mm
Weight: ca.20kg

Packed:

Height: 340mm
Width: 590mm
Depth: 470mm
Weight: ca 24kg





EG-Konformitätserklärung

Dokument-Nr.: QZ 1000/026/01/270502

Hersteller: TAB AUSTRIA
Industrie- und Unterhaltungselektronik GmbH & Co KG

Anschrift: Haider Straße 40
A-4052 Ansfelden
Österreich
Tel.: 07229/78040-0, Fax: 07229/78660

Produktbezeichnung: Spielautomat
Type: SILVERBALL BEETLE MAX PRO

Das bezeichnete Produkt stimmt mit den Vorschriften folgender Europäischer Richtlinien überein:

Richtlinie: 73 / 23 / EWG
Richtlinie des Rates zur Angleichung der Rechtsvorschriften der Mitgliedstaaten, betreffend elektrischer Betriebsmittel zur Verwendung innerhalb bestimmter Spannungsgrenzen, geändert durch RL 93 / 68 / EWG.

Richtlinie: 89 / 336 / EWG
Richtlinie des Rates zur Angleichung der Rechtsvorschriften der Mitgliedstaaten über die elektromagnetische Verträglichkeit geändert durch die RL 91 / 263 / EWG, 92 / 31 / EWG, 93 / 68 / EWG und 93 / 97 / EWG.

Die Übereinstimmung des bezeichneten Produktes mit den Vorschriften der Richtlinien wird nachgewiesen durch die Einhaltung der relevanten Abschnitte folgender Normen:

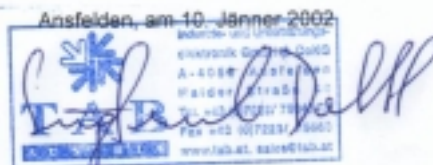
	Dokumentbezeichnung	Ausgabedatum
Harmonisierte Europäische Normen:	EN 55022	1998
	EN 55024	1998
	EN 60950	2000
	EN 61000-3-2	2000
	EN 61000-3-3	2000

Ausstellender Bereich: GF

Geschäftsführer: Ing. Siegfried Dattl

Ort, Datum: Ansfelden, am 10. Jänner 2002

Rechtsverbindliche
Unterschrift / Stempel:



Industrie- und Unterhaltungselektronik GmbH & CoKG
A-4052 Ansfelden
Haider Straße 40
Tel.: +43 (0) 7229 78040
Fax: +43 (0) 7229 78660
www.tab.at, 02096140.at

Die Erklärung bescheinigt die Übereinstimmung mit den genannten Richtlinien, beinhaltet jedoch keine Zusage von Eigenschaften. Die Sicherheitsanweisungen der mitgelieferten Produktdokumentation sind zu beachten!



CORRECTING ERRORS

Different error messages may appear during the copying routine. Below is a list of possible messages:

HASP DONGLE NOT CONNECTED

The dongle must be connected for copying, check the dongle connection.

UNKNOWN CONFIGURATION

The update hard disk does not support the unit configuration, please have this checked by TAB.

OVERWRITE PROTECTION

Check the hard disk configuration, otherwise please have this checked by TAB.

PARTITION ERROR

The hard disk that is being updated cannot be partitioned. There is a fault on either the hard disk or the hard disk cable.

MASTER COPY FILES ERROR

An error has occurred while reading the update hard disk. There is a fault on either the update hard disk or, possibly, the changing frame and associated hard disk cable.

SLAVE COPY FILES ERROR

An error has occurred while writing to the hard disk that is being updated. There is a fault on either the hard disk or the hard disk cable.

NOT COMPLETELY UPDATED

The update procedure was not completely executed and must be repeated.

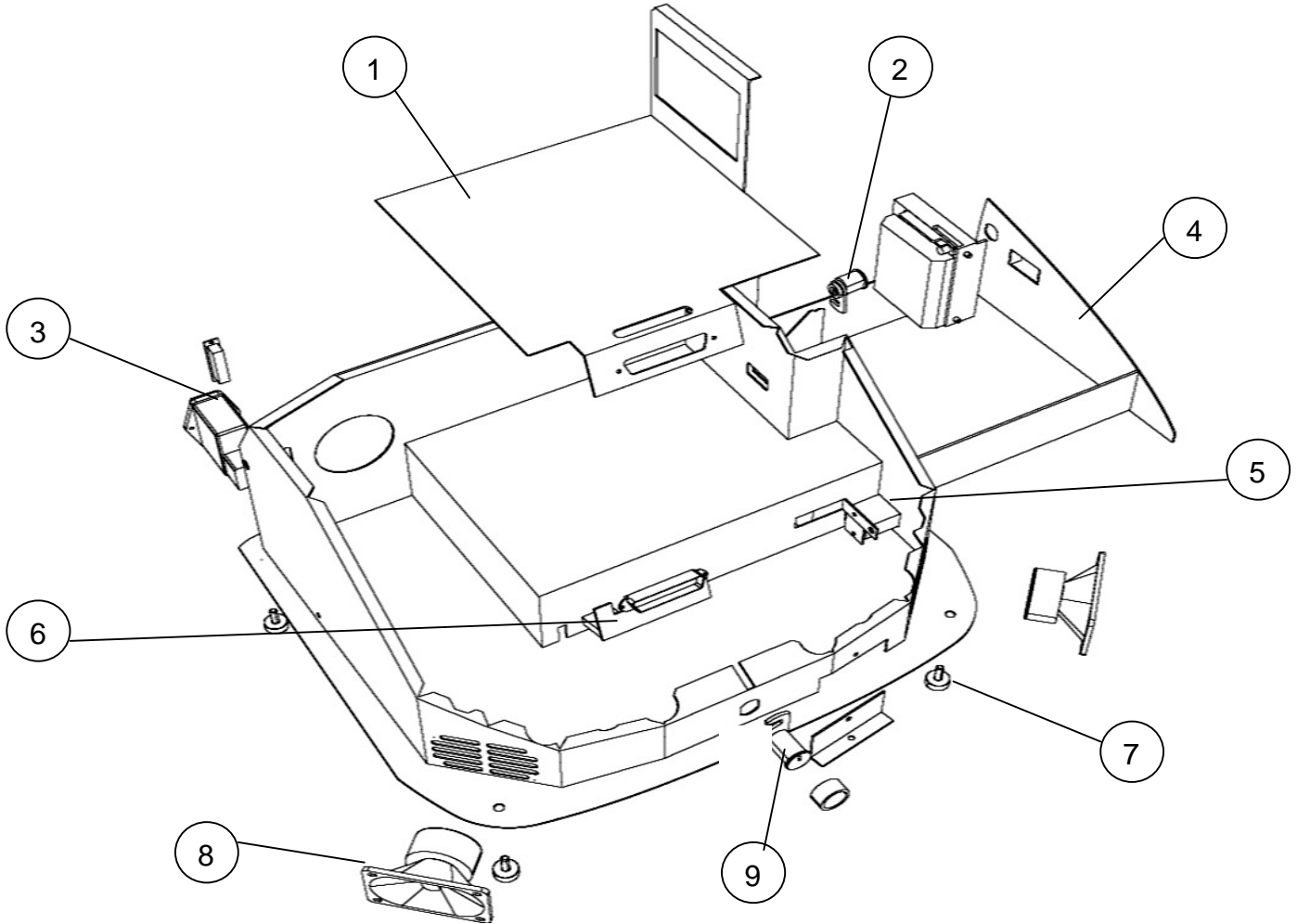
CHECK FILES ERROR

The content of the hard disk is not as specified. Execute the update procedure to rectify this. If the error occurs immediately after an update routine, there is a fault on either the hard disk or the hard disk cable.



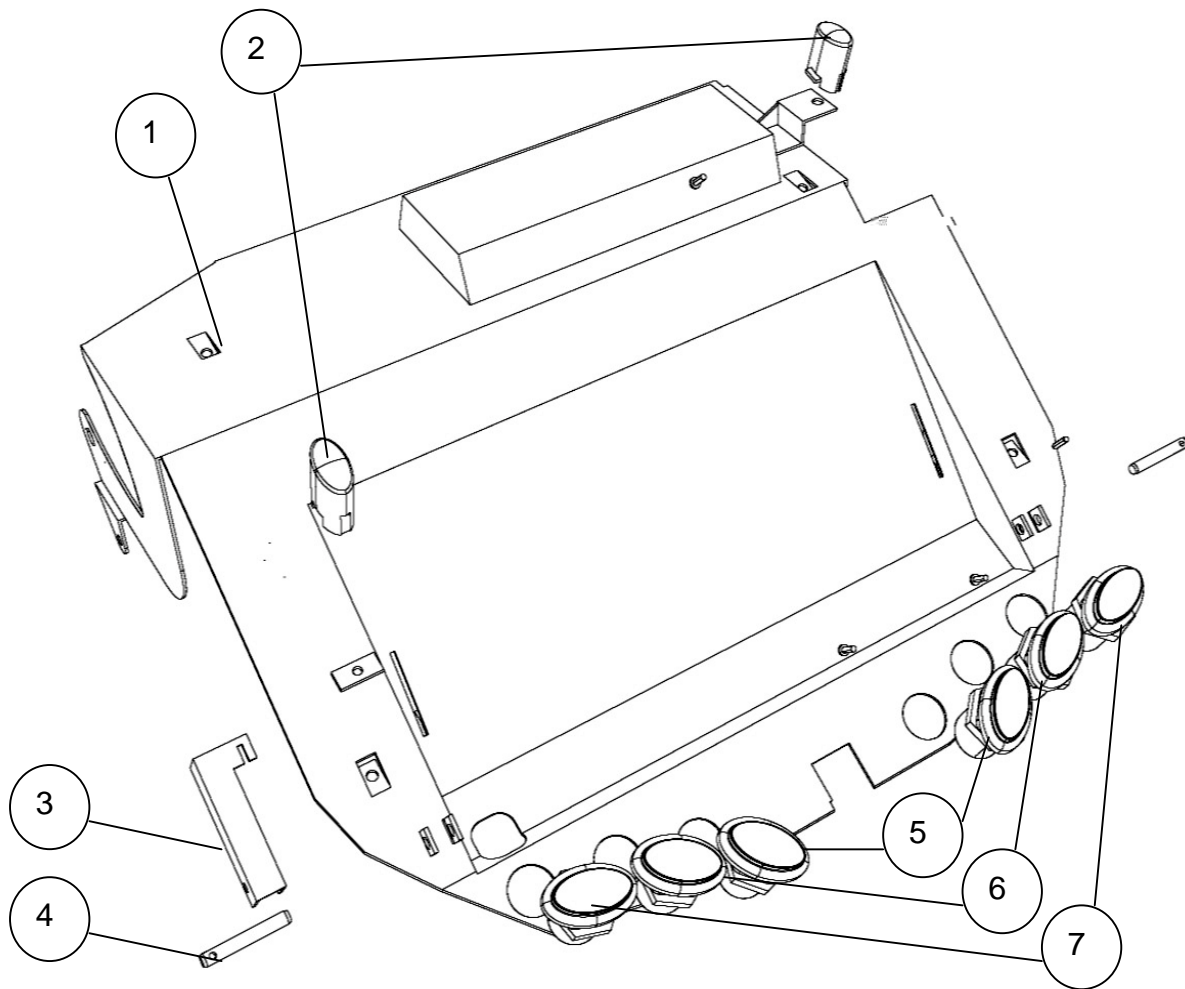
Detail drawings of the SilverBall Beetle PRO Max

Lower housing section:



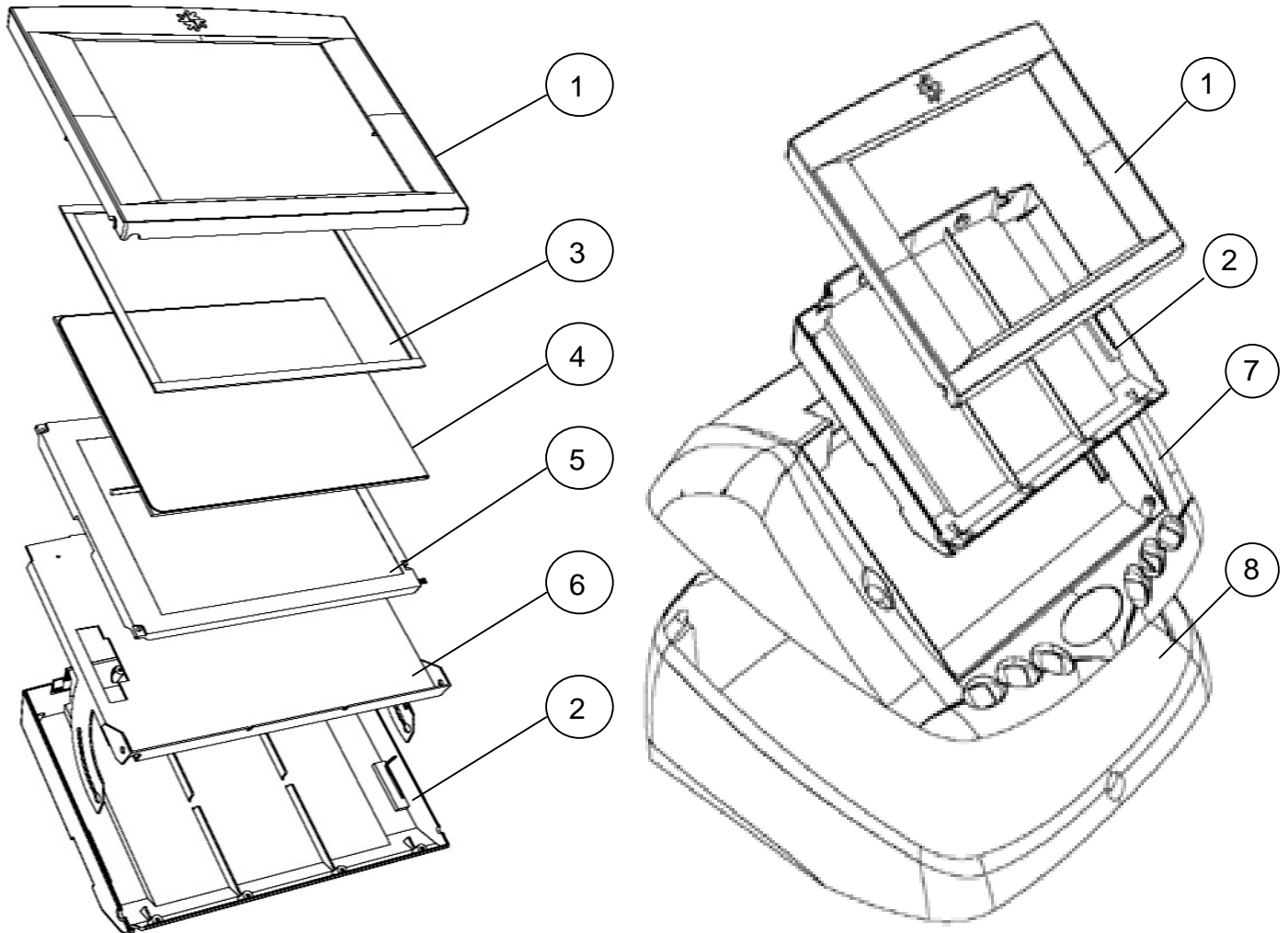
1	Motherboard sheet metal holder for Compact	022.082-020
2	20 mm lock STS 625.008	675.191-465
3	Combined network filter	671.115-507
4	Cash for Compact	361.110-130
5	Counter with socket 12V with diode	950.260-242
6	Changing frame bottom plate	831.900-009
7	Plastic body-bound rivet SR-4080-W	022.011-400
8	Compact speaker	412.120-260
9	28 mm lock STS 625.018	675.191-466

Upper housing section:



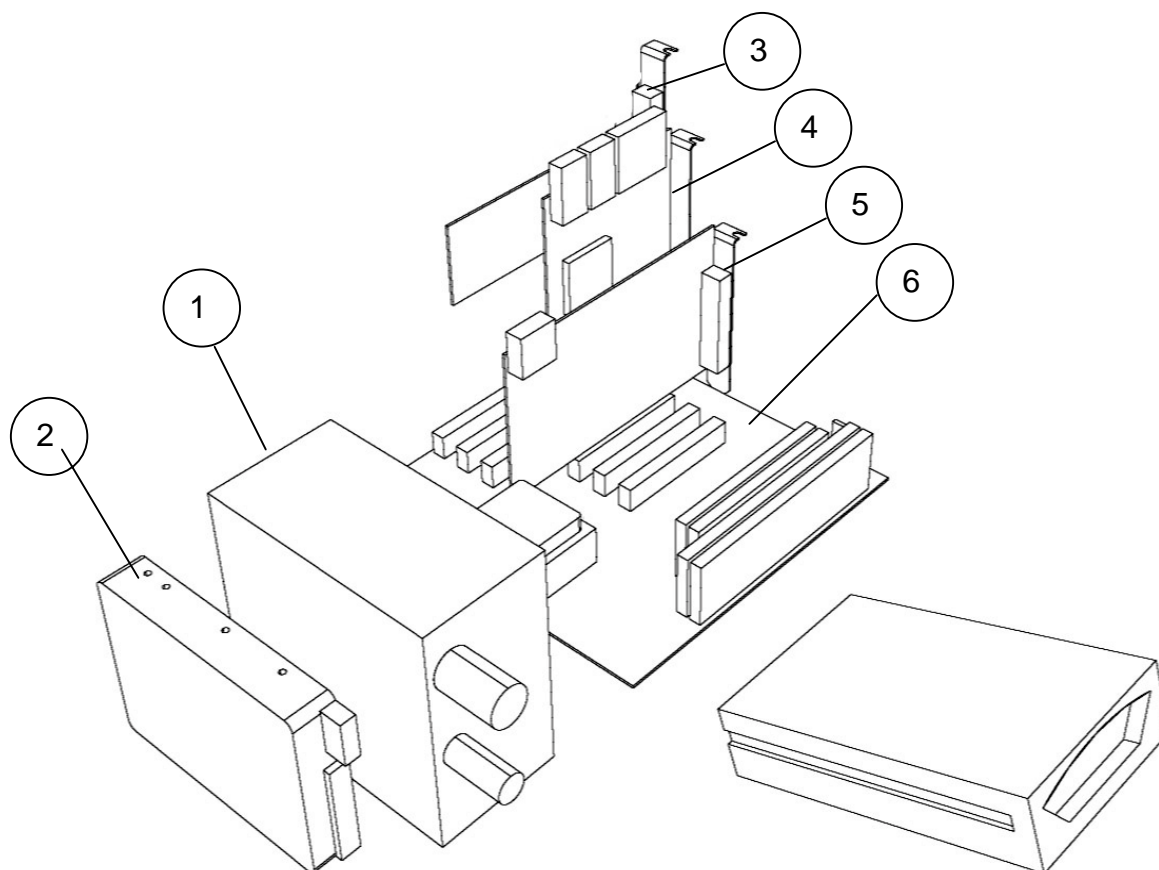
1	Compact metal top	022.082-010
2	Button oval for Silverball Compact	771.200-743
3	Display setting pressure hull	022.082-029
4	Display setting shaft	022.082-028
5	Sub-miniature push-button EL-SM green	771.200-761
6	Sub-miniature push-button EL-SM yellow	771.200-762
7	Sub-miniature push-button EL-SM red	771.200-760

Display module:



1	Front plastic part for Compact display	210.075-032
2	Rear plastic part for Compact display	210.075-033
3	9 x 2 mm foam strip seal	364.191-320
4	15" flat touch-screen	462.930-201
5	Display Samsung 15" TFT	831.700-030
6	Sheet metal display holder	022.082-023
7	Upper housing section Compact	210.075-010
8	Lower housing section Compact	210.075-000

PC parts:



1	PC power unit Task 250W CE	831.600-018
2	PC hard disk for SB Max (min. 12 GB)	831.000-020
3	PC sound card for SilverBall	831.000-012
4	Bottom plate I/O Controller SilverBall	414.164.060
5	PC graphics card AGP	831.100-011
6	PC mainboard Acorp 694XT	831.000-024



SilverBall Beetle PRO Max replacement parts list:

Modules:

- 1.) Housing (metal)
- 2.) PC parts
- 3.) Display
- 4.) Optional features

1.) Housing:

1 Compact metal body	022.082-000
1 Compact metal top	022.082-010
1 Hard disk sheet metal holder	022.082-026
2 Display shaft	022.082-027
1 Display setting shaft	022.082-028
1 Display setting pressure hull	022.082-029
1 Display setting spring	162.318-190
1 Compact cash locking bracket	675.196-195
1 Ball hasp (HWN 205 S)	162.318-195
1 Compact network part sheet metal holder	022.082-015
8 Transposer with expanding anchor (STL-1-350-3-01)	141.300-100
1 Compact lower housing section	210.075-000
1 Compact upper housing section	210.075-010
1 Gas compression spring	471.116-065
4 Soft-housing feet with body-bound rivet (SFF-018)	022.011-400
1 Combined network filter	671.115-507
2 3,15 A glass tube fuse	720.103-150
2 Compact speaker	412.120-260
1 Cash for Compact	361.110-130
9 Plastic body-bound rivet SR-4080-W	022.011-405
1 Counter with socket 12V with Diode	950.260-242
1 20 mm lock STS 625.008	675.191-465
1 28 mm lock STS 625.018	675.191-466
1 3,15 A fuse sticker	001.125-600
2 Key label	675.191-610
2 22 mm key ring	675.191-630
1 Network cable with straight connector	360.141-810
1 Cable harness Silverball Compact	360.110-636
2 Sub-miniature push-button EL-SM red	771.200-760
2 Sub-miniature push-button EL-SM yellow	771.200-762
2 Sub-miniature push-button EL-SM green	771.200-761
2 EMC seal profile	364.191-360
1 Locking bracket with heels	675.196-190
1 Evotec Decor sticker Silverball Max	001.112-061
1 Touch Screen Controller Pro Play	462.930-111
1 NRI coin tester or 330 cash flow	464.138-457

e.g.:





1 NRI adapter	360.010-210
1 Micro-switch for Compact cash door	461.613-360
2 6 mm long spacer tubes	022.011-707
1 Shaft-screw M6x40 DIN427	680.130-100
1 Adapter plate Inverter-cable	414.164-051
1 Push spring d=0,5 D=7,5 Lo=26	162.600-010
1 Pull spring d=0,56 De=5 Lo=18,5	162.600-020
2 Button oval for Silverball Compact	771.200-743
2 Locking plate	022.200-921
1 Guide left Silverball Compact	023.980-151
1 Guide right Silverball Compact	023.980-152
1 Shaft for display setting	022.230-100
1 Cover plate Interlink	023.980-142
2 Nylon insulting plate Silverball Compact	730.060-711
2 Clips bearing Silverball Compact	373.115-205
1 Cable Audio PC - Amplifier Length: 10m	360.110-609
1 Ferrite ring for coin controller	841.051-020

2.) PC - parts:

1 PC Motherboard Acorp 694XT	831.000-024
7 6 mm long spacer tubes	022.011-707
1 PC sound card for Silverball	831.200-011
1 PC graphics card for LCD AGP	831.100-011
1 CPU cooling fan	831.900-031
1 Changing frame bottom plate	831.900-009
1 PC hard disk for Silverball Max more than 12Gb	831.000-020
4 Rubber buffer 8 x8 AG / AG M3	213.078-385
1 PC CPU Celeron 433Mhz	831.000.026
2 PC RAM 128 MB 168pin 133Mhz for Silverball Max	831.300-016
1 PC Power Supply Task 250W CE	831.600-018
1 Bottom plate I/O Controller Silverball	414.164.060
1 Dongle Hardlock	285.260-045
1 Motherboard sheet metal holder for Compact	022.082-020
1 HDD cable	831.900-011
1 Software licence for Windows 95COA	831.100-005
4 Fastener rivet DF137-020	022.020-000

3.) Display:

1 Sheet metal display holder	022.082-023
1 Front plastic part for Compact display	210.075-032
1 Rear plastic part for Compact display	210.075-033
1 LCD TFT 15" SamsungLTM150XI Display	831.700-030
1 Cable harness LCD display	360.110-700
1 Cable harness VGA conector LCD 15"	360.110-701





1 Cable harness OSD Board TFT LCD 15"	360.110-702
1 15" flat touch screen	462.930-201
1 Seal lather band 9x2mm	364.191-320
3 6 mm spacer tubes	022.011-707
1 Adhesive tape Duplocoll VP700	364.114-520

4.) Additional features:

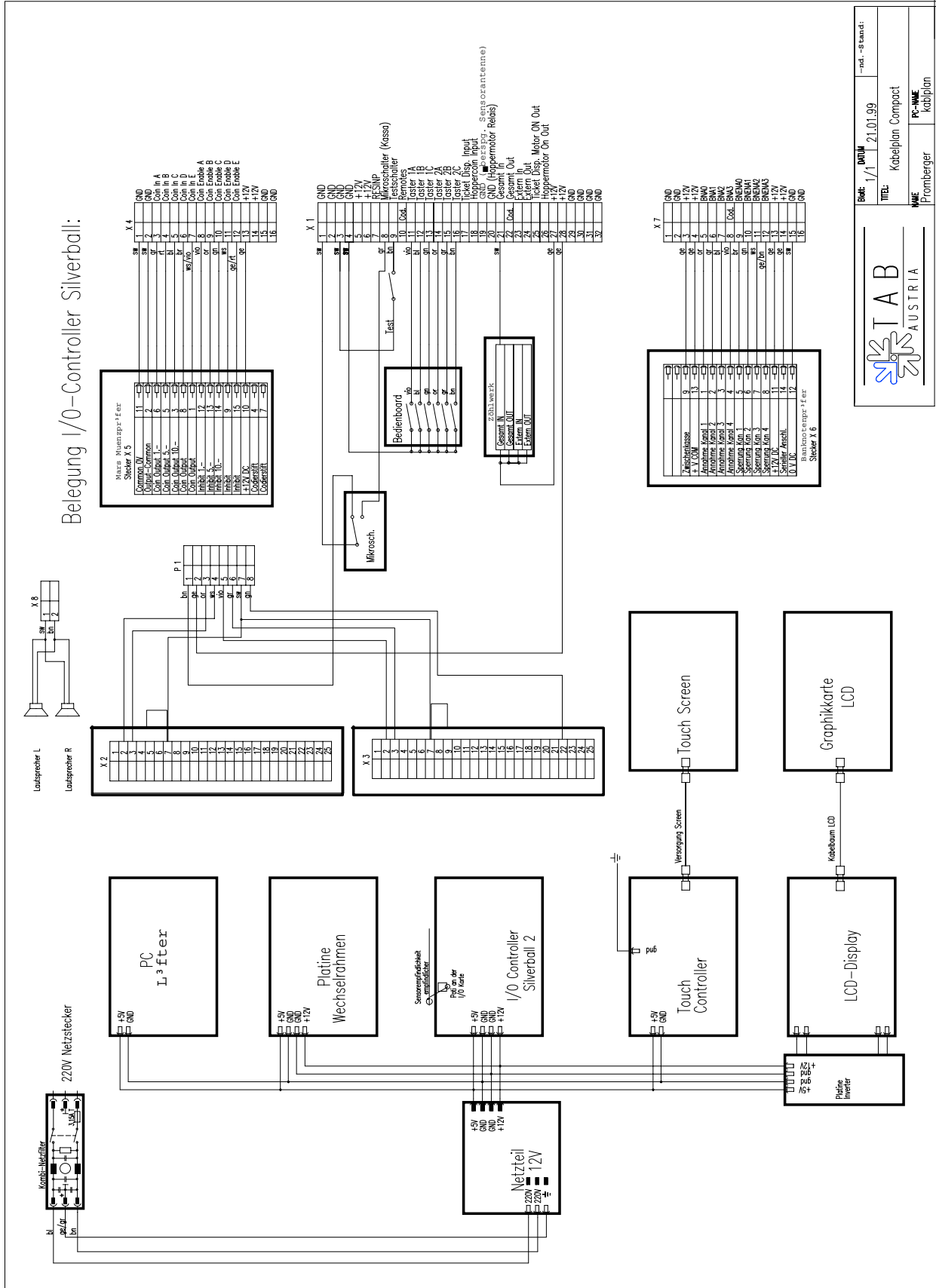
1 PC-Compact rack assembled	831.000-004
1 Export-packaging Beetle	840.300-071
1 Rotary table	210.041-200
1 Cable harness socket Beetle PRO	360.110-643
1 PC Modem PCI internal 56k analog	831.800-053
1 PC Modem PCI internal ISDN	831.800-051
1 PC Netzwerkkarte Ethernet 10/100	831.800-060





Cable diagram:

Belegung I/O-Controller Silverball:



TAB AUSTRIA

Bank: 1/1 21.01.99
 TITEL: Kabelplan Compact
 NAME: Promberger
 PC-NAME: kablplan





Ansfelden, March 2000

Music rights

Dear customer,

You have purchased our new and innovative product „Silverball Beetle PRO Max“ (and/or a computer hard disk with recorded music), suitable for playing music in MP3 format. Congratulations on your purchase!

However, we are obliged to draw your attention towards the fact that you must obtain a licence for the public performance of music (playing music in public houses, amusement arcades, etc.) from the respective performing rights society (in Austria AKM) against a licence fee. You must acquire the rights of music reproduction (transferring music to other hard disks, storage of music (not purchased at TAB Austria) on the hard disk (regardless of source of sound carrier), reproduction of the musical contents of the hard disk, etc.) at AKM/austro mechana and at LSG/ifpi. Therefore, in these cases we request you to get in touch with AKM/austro mechana, Baumannstraße 10, 1031 Vienna (phone: 0043/(0)1/71787), as well as with LSG/ifpi, Schreyvogelgasse 2/5, 1010 Vienna (phone: 0043/(0)1/53560350), your respective regional authority or the respective performing rights society in your country (see supplement).

The same applies to any music updates that you acquire from TAB Austria. You only acquire the right to record this music to a single „Silverball Max“ machine. The rights for recording to any further machines need to be acquired at the above-mentioned societies (or at TAB Austria).

Apart from this, we are obliged to point out the fact that the music that you have acquired is only intended for public performance. You are neither allowed to pass it on to third parties nor to sell it. By acquiring the music, you have acquired the above-mentioned rights. This is why you do not need to pay any surcharge on the fee for public performance.

Finally, we would like to wish you good luck with your new purchase.

Yours sincerely

Mag. Thomas Schardtmüller
Commercial Executive TAB Austria





Specific Terms and Conditions of Trade of TAB AUSTRIA Industrie- und Unterhaltungselektronik GmbH, Haiderstrasse 40, A-4052 Ansfelden (hereinafter called „TAB“) for the Delivery of Music Pieces in MP3 Format

- 1) The „General Terms and Conditions of Trade of TAB AUSTRIA Industrie- und Unterhaltungselektronik GmbH“ apply provided they are not modified or supplemented by these terms.
- 2) With the delivery of music pieces you do not acquire the right to reproduce the music. You must acquire the rights of music reproduction (transferring music to another hard disk, storage of music (not purchased at TAB) on the hard disk (regardless of source of sound carrier), reproduction of the musical contents of the hard disk, etc.) at austro mechana as well as at LSG. Therefore, in these cases (in Austria) we request you to get in touch with austro mechana, Baumannstraße 10, 1031 Vienna (phone: 0043/(0)1/71787) and with LSG, Schreyvogelgasse 2/5, 1010 Vienna phone: 0043/(0)1/53560350), your respective regional authority or the respective performing rights society in your country (see supplement).
- 3) The music is only allowed to be recorded to a machine manufactured by TAB. The same applies for any music updates that you purchase from TAB. You only acquire the right to record this music to a single machine. You must acquire the rights to record to any further machines at the above-mentioned societies (or at TAB).
- 4) The music you have purchased is intended for public performance only. You are neither allowed to pass it on to third parties nor to sell it. The rights to perform music publicly (playing music in public houses, amusement arcades, etc.) must be acquired at the respective performing rights society (in Austria AKM) against a licence fee.
- 5) Safety labels are delivered together with the music pieces on the hard disk. You are obliged to attach the safety labels to the machine's hard disk intended for playing the music. Otherwise, any claims to warranty or to replacement of any lost music pieces due to defective machines or faulty storage media shall expire. Should the safety label be damaged or in any other way impaired, any claims to warranty or to replacement shall also expire.
- 6) During the customer's usual business hours TAB is at any time entitled to control the lawfulness of the music that was recorded to a machine TAB themselves have manufactured.
- 7) Should one or several of the above provisions be or become invalid or impracticable, then the validity of the remaining provisions will remain unaffected. Rather, the invalid and/or impractical provision will have to be replaced by such a valid or practicable provision as will realise to the widest possible extent the economic purpose pursued by the former.





Warrenty and Liability

1. Complaints concerning new machines delivered by us must be communicated to the seller in writing at the latest within eight days after receipt of the product.
2. With regard to concealed defects, complaints may only be raised immediately after their discovery, however no later than three months after receipt of the product.
3. The TFT LCD display is made up of over 1,000,000 thin-film transistors (TFT`s). A small number of missing black or luminous dots is characteristic of TFT LCD technology. However, the TFT LCD display should be changed if more than 15 black or luminous dots are missing.
4. If a third person repairs or tries to repair the delivered good, all complaints are excluded; the same applies if the customer has undertaken unqualified interventions on the delivered good. If the stickers or seals on machine parts are removed or damaged, the warranty expires for this part.
5. Complaints must be raised in writing or by fax. All warranty claims are excluded if TAB is not informed about any defects in the product in a timely manner in accordance with the provisions contained in the preceding points.
6. With regard to justified complaints, the customer is first entitled to repair of the defects. The customer must send the defective product back to TAB. Instead of performing the repair, TAB is entitled to deliver a replacement unit. If, in the event of a justified complaint, the product is not repaired within 4 weeks after receipt of the product at TAB and if the repair product or the replacement unit is not within the same time period transferred to the transporter for sending to the customer (at TAB`s expense), the customer is entitled, at his option, to demand a reduction of the purchase price or to rescind the contract.
7. The preceding paragraphs contain the entire warranty for the product and all other warranty claims of any kind are excluded. This does not apply for damage claims from characteristic assurances which should guarantee the customer against the risk of consequential damages caused by defects.
8. Damages based on impossibility of performance, positive breach of an obligation, culpa in contrahendo and unlawful act are excluded both against ourselves and against our vicarious agents, in the absence of intentional or grossly negligent acts.
9. No warranty claims of the customer are transferable.





10. Used devices are sold under the exclusion of all warranty claims.
11. "TAB" is a registered company name. TAB holds the copyright on the products delivered by TAB. The customer may use and resell these products only within the framework of an orderly business establishment.
12. All recourse claims, as these are understood in section 12 PHG, as well as any disclaimer of liability in accordance with section 8 fig. 3 PHG, are excluded.





END-USER LICENSE AGREEMENT FOR MICROSOFT SOFTWARE

IMPORTANT - READ CAREFULLY: This End-User License Agreement ("EULA") is a legal agreement between you (either an individual or a single entity) and the manufacturer ("Manufacturer") or the special purpose computing device ("SYSTEM") you acquired which includes certain Microsoft software product(s) installed on the SYSTEM ("SOFTWARE PRODUCT" or "SOFTWARE"). The SOFTWARE includes computer software, the associated media, any printed materials, and any "online" or electronic documentation. By installing, copying or otherwise using the SOFTWARE, you agree to be bound by the terms of this EULA. If you do not agree to the terms of this EULA, Manufacturer and Microsoft Corporation ("Microsoft") are unwilling to license the SOFTWARE to you. In such event, you may not use or copy the SOFTWARE, and you should promptly contact Manufacturer for instructions on return of the unused product(s) for a refund.

SOFTWARE LICENSE

The SOFTWARE is protected by copyright laws and international copyright treaties, as well as other intellectual property laws and treaties. The SOFTWARE is licensed, not sold.

1. GRANT OF LICENSE. This EULA grants you the following rights:

- **Software.** You may use the SOFTWARE as installed on the System.
- **Application Sharing.** The SOFTWARE may contain technology that enables applications to be shared between two or more SYSTEMS, even if an application is installed on only one of the SYSTEMS. You should consult your application license agreement or contact the application licensor to determine whether sharing the application is permitted by its licensor.
- **Storage/Network Use.** If the SOFTWARE PRODUCT is installed on the SYSTEM over an internal network from a server, you must acquire and dedicate a license for the SOFTWARE PRODUCT for each SYSTEM on which the SOFTWARE PRODUCT is used or to which it is distributed. A license for the SOFTWARE PRODUCT may not be shared or used concurrently on different SYSTEMS.
- **Back-up Copy.** If MANUFACTURER has not included a copy of the SOFTWARE on separate media with the SYSTEM, you may make a single copy of the SOFTWARE for use solely for archival purposes with the SYSTEM.

2. DESCRIPTION OF OTHER RIGHTS AND LIMITATIONS.

- **Limitation on Reverse Engineering, Decompilation and Disassembly.** You may not reverse engineer, decompile, or disassemble the SOFTWARE, except and only to the extent that such activity is expressly permitted by applicable law notwithstanding this limitation.
- **Single SYSTEM.** The SOFTWARE is licensed with the SYSTEM as a single integrated product. The SOFTWARE may only be used with the SYSTEM.





Rental. You may not rent or lease the SOFTWARE.

- **Software Transfer.** You may permanently transfer all of your rights under this EULA only as part of a sale or transfer of the SYSTEM, provided you retain no copies, you transfer all of the SOFTWARE (including all component parts, the media, any upgrades or backup copies, and this EULA, and if applicable, the Certificate(s) of Authenticity), and the recipient agrees to the terms of this EULA. If the SOFTWARE is an upgrade, any transfer must include all prior versions of the SOFTWARE.
- **Termination.** Without prejudice to any other rights, Manufacturer or Microsoft may terminate this EULA if you fail to comply with the terms and conditions of this EULA. In such event, you must destroy all copies of the SOFTWARE and all of its component parts.
- **Single EULA.** The package for the SOFTWARE may contain multiple versions of this EULA, such as multiple translations and/or multiple media versions (e.g., in the user documentation and in the software). In this case, you are only licensed to use one (1) copy of the SOFTWARE PRODUCT.

3. UPGRADES AND RECOVERY MEDIA.

- If the SOFTWARE is provided by Manufacturer on media separate from the SYSTEM and is labeled "For Upgrade Purposes Only" (Upgrade SOFTWARE), you may install one copy of the Upgrade SOFTWARE onto the SYSTEM as a replacement copy for the SOFTWARE originally installed on the SYSTEM and use it in accordance with Section 1 of this EULA. You may also install additional copies of the Upgrade SOFTWARE as replacement copies onto additional SYSTEMS which are the same brand and model as the SYSTEM and contain a duly licensed copy of the same version and language release of the SOFTWARE ("ADDITIONAL SYSTEMS"), provided that (1) Manufacturer has supplied a corresponding serialised sticker for each additional copy of the Upgrade SOFTWARE, and (2) you affix a serialised sticker per Manufacturer's instructions for each unit of Upgrade SOFTWARE you install.
- If the SOFTWARE is provided by Manufacturer on separate media and labeled as "Recovery Media", you may not make a copy of the SOFTWARE as described in Section 1 for archival purposes. Instead, you may use the Recovery Media solely to restore or reinstall the same version and language release of the SOFTWARE as originally installed on the SYSTEM and thereafter use the SOFTWARE as restored or reinstalled in accordance with Section 1 of this EULA. A single unit of Recovery Media may be used by you to restore or reinstall the SOFTWARE on ADDITIONAL SYSTEMS.

4. COPYRIGHT.

- All title and copyrights in and to the SOFTWARE (including but not limited to any images, photographs, animations, video, audio, music, text and "applets," incorporated into the SOFTWARE), the accompanying printed materials, and any copies of the SOFTWARE, are owned by Microsoft or its suppliers. You may not copy the printed materials accompanying the SOFTWARE. All rights not specifically granted under this EULA are reserved by Microsoft.





5. PRODUCT SUPPORT.

- Product support for the SOFTWARE is not provided by Microsoft or its subsidiaries. For product support, please refer to Manufacturer's support number provided in the documentation for the SYSTEM. Should you have any questions concerning this EULA, or if you desire to contact Manufacturer for any other reason, please refer to the address provided in the documentation for the SYSTEM.

6. LIMITED WARRANTY.

- **Limited Warranty.** Manufacturer warrants that the SOFTWARE will perform substantially in accordance with the accompanying written materials for a period of ninety (90) days from the date of receipt. Any implied warranties on the SOFTWARE are limited to ninety (90) days. Some states/jurisdictions do not allow limitations on duration of an implied warranty, so the above limitation may not apply to you.
- **Customer Remedies.** Manufacturer's and its suppliers' entire liability and your exclusive remedy shall be, at Manufacturer's option, either (a) return of the price paid, or (b) repair or replacement of the SOFTWARE that does not meet the above Limited Warranty and which is returned to Manufacturer with a copy of your receipt. This Limited Warranty is void if failure of the SOFTWARE has resulted from accident, abuse, or misapplication. Any replacement SOFTWARE will be warranted for the remainder of the original warranty period or thirty (30) days, whichever is longer.
- **No Other Warranties.** EXCEPT AS EXPRESSLY PROVIDED IN THE LIMITED WARRANTY SECTION ABOVE, THE SOFTWARE IS PROVIDED TO THE END USER "AS IS" WITHOUT OF ANY KIND, EITHER EXPRESSED OR IMPLIED, INCLUDING, BUT NOT LIMITED TO, WARRANTIES OF NON-INFRINGEMENT, MERCHANTABILITY, AND/OR FITNESS FOR A PARTICULAR PURPOSE. THE ENTIRE RISK OF THE QUALITY AND PERFORMANCE OF THE SOFTWARE IS WITH YOU.
- **No Liability for Consequential Damages.** MANUFACTURER'S SUPPLIERS SHALL NOT BE HELD TO ANY LIABILITY FOR ANY DAMAGES SUFFERED OR INCURRED BY THE END USER (INCLUDING, BUT NOT LIMITED TO, GENERAL, SPECIAL, CONSEQUENTIAL OR INCIDENTAL DAMAGES INCLUDING DAMAGES FOR LOSS OF BUSINESS PROFITS INTERRUPTION, LOSS OF BUSINESS INFORMATION AND THE LIKE), ARISING FROM OR IN CONNECTION WITH THE DELIVERY, USE OR PERFORMANCE OF THE SOFTWARE.

7. NOTE ON JAVA SUPPORT.

THE SOFTWARE PRODUCT MAY CONTAIN SUPPORT FOR PROGRAMS WRITTEN IN JAVA. JAVA TECHNOLOGY IS NOT FAULT TOLERANT AND IS NOT DESIGNED, MANUFACTURED, OR INTENDED FOR USE OR RESALE AS ON-LINE CONTROL EQUIPMENT IN HAZARDOUS ENVIRONMENTS REQUIRING FAIL-SAFE PERFORMANCE, SUCH AS IN THE OPERATION OF NUCLEAR FACILITIES, AIRCRAFT NAVIGATION OR COMMUNICATION SYSTEMS, AIR TRAFFIC CONTROL, DIRECT LIFE SUPPORT MACHINES, OR WEAPONS SYSTEMS, IN WHICH THE FAILURE OF JAVA TECHNOLOGY COULD LEAD DIRECTLY TO DEATH, PERSONAL INJURY, OR SEVERE PHYSICAL OR ENVIRONMENTAL DAMAGE.





B137682

Attachment A

COMPANY shall sublicense the Licensed Product to end users by means of a EULA. COMPANY shall provide clear notice to Embedded System customers before or at the time of purchase that the Embedded System contains software that is subject to a license and that customer must agree to that license before it may use the Embedded System. COMPANY shall distribute the EULA in a manner that forms a contract binding the end user to the EULA terms under applicable law. The EULA shall contain (A) the following terms, and (B) any additional EULA terms set forth by MS in the Additional Provisions for the Licensed Product. COMPANY may include additional terms in the EULA, so long as they are no less protective of MS than the terms set forth below. COMPANY shall substitute its name for the bracketed text [COMPANY] in the EULA text. If permitted by COMPANY's other software suppliers for a particular COMPANY Embedded System, COMPANY may substitute for the word "MS" the term "[COMPANY]'s software suppliers".

- You have acquired a device ("DEVICE") that includes software licensed by [COMPANY] from Microsoft Licensing Inc. or its affiliates ("MS"). These installed software products of MS origin, as well as associated media, printed materials, and "online" or electronic documentation ("SOFTWARE") are protected by international intellectual property laws and treaties. The SOFTWARE is licensed, not sold. All rights reserved.
 - ◆ **[APPROVED ALTERNATIVE TEXT IF COMPANY DOES NOT MENTION MS IN THE EULA TEXT:** "You have acquired a device ("DEVICE") which includes software licensed by [COMPANY] from one or more software licensors ("[COMPANY]'s Software Suppliers"). Such software products, as well as associated media, printed materials, and "online" or electronic documentation ("SOFTWARE") are protected by international intellectual property laws and treaties. The SOFTWARE is licensed, not sold. All rights reserved."
- IF YOU DO NOT AGREE TO THIS END USER LICENSE AGREEMENT ("EULA"), DO NOT USE THE DEVICE OR COPY THE SOFTWARE. INSTEAD, PROMPTLY CONTACT [COMPANY] FOR INSTRUCTIONS ON RETURN OF THE UNUSED DEVICE(S) FOR A REFUND. ANY USE OF THE SOFTWARE, INCLUDING BUT NOT LIMITED TO USE ON THE DEVICE, WILL CONSTITUTE YOUR AGREEMENT TO THIS EULA (OR RATIFICATION OF ANY PREVIOUS CONSENT).
- **GRANT OF SOFTWARE LICENSE.** This EULA grants you the following license:
 - You may use the SOFTWARE only on the DEVICE.
 - **NOT FAULT TOLERANT.** THE SOFTWARE IS NOT FAULT TOLERANT. [COMPANY] HAS INDEPENDENTLY DETERMINED HOW TO USE THE SOFTWARE IN THE DEVICE, AND MS HAS RELIED UPON [COMPANY] TO CONDUCT SUFFICIENT TESTING TO DETERMINE THAT THE SOFTWARE IS SUITABLE FOR SUCH USE.
 - **NO WARRANTIES FOR THE SOFTWARE.** THE SOFTWARE is provided "AS IS" and with all faults. THE ENTIRE RISK AS TO SATISFACTORY QUALITY, PERFORMANCE, ACCURACY, AND EFFORT (INCLUDING LACK OF NEGLIGENCE) IS WITH YOU. ALSO, THERE IS NO WARRANTY AGAINST INTERFERENCE WITH YOUR ENJOYMENT OF THE SOFTWARE OR AGAINST INFRINGEMENT. IF YOU HAVE RECEIVED ANY WARRANTIES REGARDING THE DEVICE OR THE SOFTWARE, THOSE WARRANTIES DO NOT ORIGINATE FROM, AND ARE NOT BINDING ON, MS.
 - **Note on Java Support.** The SOFTWARE may contain support for programs written in Java. Java technology is not fault tolerant and is not designed, manufactured, or intended for use or resale as online control equipment in hazardous environments requiring fail-safe performance, such as in the operation of nuclear facilities, aircraft navigation or communication systems, air traffic control, direct life support machines, or weapons systems, in which the failure of Java technology could lead directly to death, personal injury, or severe physical or environmental damage. Sun Microsystems, Inc. has contractually obligated MS to make this disclaimer.
 - **No Liability for Certain Damages.** EXCEPT AS PROHIBITED BY LAW, MS SHALL HAVE NO LIABILITY FOR ANY INDIRECT, SPECIAL, CONSEQUENTIAL OR INCIDENTAL DAMAGES ARISING FROM OR IN CONNECTION WITH THE USE OR PERFORMANCE OF THE SOFTWARE. THIS LIMITATION SHALL APPLY EVEN IF ANY REMEDY FAILS OF ITS ESSENTIAL PURPOSE. IN NO EVENT SHALL MS BE LIABLE FOR ANY AMOUNT IN EXCESS OF U.S. TWO HUNDRED FIFTY DOLLARS (U.S.\$250.00).
 - **Limitations on Reverse Engineering, Decompilation, and Disassembly.** You may not reverse engineer, decompile, or disassemble the SOFTWARE, except and only to the extent that such activity is expressly permitted by applicable law notwithstanding this limitation.
 - **SOFTWARE TRANSFER ALLOWED BUT WITH RESTRICTIONS.** You may permanently transfer rights under this EULA only as part of a permanent sale or transfer of the Device, and only if the recipient agrees to this EULA. If the SOFTWARE is an upgrade, any transfer must also include all prior versions of the SOFTWARE.
 - **EXPORT RESTRICTIONS.** You acknowledge that SOFTWARE is of US-origin. You agree to comply with all applicable international and national laws that apply to the SOFTWARE, including the U.S. Export Administration Regulations, as well as end-user, end-use and country destination restrictions issued by U.S. and other governments. For additional information on exporting the SOFTWARE, see <http://www.microsoft.com/exporting/>.





Memos:



